



Carlisle's Flo-Pac® professional cleaning tools make cleaning chores easier. Our superior product selection offers innovative, hard-working products that help you run a smart, safe, and profitable operation.

Product	Page
<b>Bowl Brushes</b>	
Bowl Brush w/Caddy	42
Bowl Mops	43
Force Cups	43
Twist-In-Wire Brushes	42
<b>Brooms</b>	
Corn Brooms	20
Duo-Sweep® Angle Brooms	18
Duo-Sweep® Brooms	19
Sparta® Spectrum® Duo-Sweep® Angle Brooms	18
Synthetic Corn Brooms	20
Carpet & Upholstery Brushes	52
Cotton Towels	54
Counter/Bench Brushes	38-39
Duo-Sweeper™ Mechanical Sweeper	21
<b>Dust Mops</b>	
Handles & Frames	32
Hospital Grade Launderable Dust Mops	31
Value Line Tie Back	31
Wedge Mop	31
<b>Dust Pans</b>	
Duo-Pan™ Dust Pan	21
Duo-Pan™ Lobby Broom & Dust Pan Combo	21
Metal & Plastic Dust Pan	21
<b>Dusters</b>	
Ceiling, Fan & Wall Dusters	54
Feather & Wool Dusters	53
<b>Floor, Deck &amp; Baseboard Scrub Brushes</b>	
Baseboard & Deck Scrubs	15
Dual Surface® Floor Scrubs	17
Grout Line Scrub Brushes	17
Hi-Lo® Floor Scrub Brushes	17
Swivel Scrub® & Scrubber Brushes	16
<b>Floor Drain Brushes &amp; Handles</b>	44
<b>Floor Scrapers</b>	35
<b>Floor Squeegees</b>	
Curved End & Straight Floor Squeegees	34
Double Foam Rubber Floor Squeegees	33
Moss Foam Rubber Floor Squeegees	33
<b>Floor Sweeps</b>	
Course/Heavy Floor Sweeps	13-14
Fine Floor Sweeps	9
Fine to Medium Floor Sweeps	10
Heavy Street Sweeps	14
Medium Floor Sweeps	12
Omni Sweep®	8

Product	Page
The Gripper™	43
Hand & Nail Brushes	38
<b>Maintenance Brushes</b>	
Toothbrush Style Utility Brushes	41
Wand, Radiator & Vent Brushes	40
Wire Scratch Brushes	40-41
<b>Mops &amp; Mopping Accessories</b>	
Bucket/Wringer	27
Cut-End & Finishing Mops	24
Looped End Mops	23
Kwik-On™ Screw Top Mop	25
Mop Handles	26-27
Rough Surface Mop	24
Sponge Mops	28
Wax Applicators	28
Wet Floor Signs	27
Wide Band/Tailband Mop Heads	23
Microfiber Mops & Accessories	29-30
Sponges	54
Tile & Grout Brushes	17
<b>Utility Scrub Brushes</b>	
Natural Fiber Scrub Brushes	36
Synthetic Bristle Scrub Brushes	35-37
<b>Vehicle Brushes</b>	
Acid Wash Brushes	46, 48
Dip-Style, Flo-Thru Wash & Fountain-Style Brushes	45-47
Hand-Held Utility Wash Brushes	45
Parts & Detail Brushes	48
Tire & Truck Wash Brushes	47-48
Windshield Washer/Squeegee	49
<b>Window Cleaning Equipment</b>	
Aluminum Channel Squeegees	50
Brass Channel w/Rubber Squeegees	51
Flo-Thru Window Brushes	49
Rubber Squeegee Refill & Accessories	51
Stainless Steel Channel Squeegees	51
Strip Window Washers	50
Window Scrapers	50

professional cleaning

# OMNI SWEEP® FLOOR SWEEPS

The unique Omni Sweep® combines the features of fine, medium, and heavy floor sweeps into one convenient floor sweep.

- patent-pending design and chemical-resistant bristles remove everything from heavy debris to the finest particles on any type of floor surface
- synthetic bristles have an angled pitch for fast, effective sweeping on all types of floor surfaces
- short, heavy bristles in front easily sweep up heavy debris
- long, fine/medium bristles in back sweep fine dust and particles; can be used with sweeping compounds
- available with hygienic plastic block or Anchor™ hardwood block with durable Anchor™ clamp
- hygienic plastic block has threaded handle hole to accommodate all types of threaded handles; can be integrated into a HACCP compliant program by utilizing the Sparta® Spectrum® Self-Locking Flex-Tip® Fiberglass Handle (40225), sold separately
- Anchor™ style block makes the Omni Sweep® the toughest floor sweep on the market today; exclusive Carlisle Anchor™ clamp attaches firmly onto handle to increase stability
- Anchor™ Style hardwood block requires 60" Anchor™ Hardwood Handle (45270), sold separately



41870  
w/45270 Handle

41881  
w/40225 Handle

Prod. No.	Description	Case Pack	Case Wt./ Cube
<b>COLOR(00)</b>			
<b>Plastic Block</b>			
41880	18" Omni Sweep®	12 ea	30.00/1.90
41881	24" Omni Sweep®	12 ea	40.00/2.61
<b>Hardwood Block and Clamp</b>			
41870	18" Anchor™ Style Omni Sweep®*	12 ea	30.00/1.90
41871	24" Anchor™ Style Omni Sweep®*	12 ea	40.00/2.61
41872	36" Anchor™ Style Omni Sweep®*	6 ea	30.00/3.48
<b>Replacements and Accessories</b>			
<b>BLUE(14), BROWN(01), GREEN(09), RED(05), TAN(25), WHITE(02), YELLOW(04)</b>			
40225	60" Sparta® Spectrum® Fiberglass Handle w/Self-Locking Flex-Tip®	12 ea	13.00/0.80
<b>COLOR(00)</b>			
45196	Anchor Clamp with 2 ea bolt & wing nuts	12 ea	6.48/0.16
45270	60" Anchor™ Wood Handle – 1-1/8" D	12 ea	20.00/0.70

\*Anchor™ clamp included

Handles are not included, see pages 178-181 for handle recommendations



Anchor™ Clamp holds hardwood Anchor™ Block



Angled pitch for fast, effective sweeping

# FLO-PAC® FINE FLOOR SWEEPS



Carlisle's Flo-Pac® Floor Sweeps offer the largest variety of high-performance sweeps. Flo-Pac®'s Fine Floor Sweeps are designed to fit your sweeping needs. Hardwood and plastic block styles in a variety of sizes and material choices for fine sweeping of smooth, high gloss surfaces. All handles are sold separately. See pages 178-181 for handle recommendations.

## FLAGGED POLYPROPYLENE

- soft, lightly crimped, flagged filament for sweeping dust and fine particles on smooth surfaces

Prod. No.	Carlisle No.	Previous Flo-Pac® No.	Description	Case Pack	Case Wt./ Cube
<b>Hardwood Block – 3" Trim</b>					
<b>GREY(23)</b>					
45013	45013	48-18	18" Flagged Polypropylene Sweep	12 ea	23.00/2.06
45014	45014	48-24	24" Flagged Polypropylene Sweep	12 ea	30.00/2.69
45016	45016	48-36	36" Flagged Polypropylene Sweep	6 ea	24.25/2.22
<b>ORANGE(24)</b>					
45013	45013	21-18	18" Flagged Polypropylene Sweep	12 ea	23.00/2.06
45014	45014	21-24	24" Flagged Polypropylene Sweep	12 ea	30.00/2.89
45016	45016	21-36	36" Flagged Polypropylene Sweep	6 ea	25.00/2.22
36102118	45150	1021-18	18" Juno Style Flagged Polypropylene Sweep	12 ea	23.00/2.06
36102124	45151	1021-24	24" Juno Style Flagged Polypropylene Sweep	12 ea	30.00/2.69
36102136	45153	1021-36	36" Juno Style Flagged Polypropylene Sweep	6 ea	21.75/2.22
<b>Plastic Block – 3" Trim</b>					
<b>GREY(23)</b>					
36204818	40581/45020	2048-18	18" Flagged Polypropylene Sweep	12 ea	26.00/2.13
36204824	45021/40582	2048-24	24" Flagged Polypropylene Sweep	12 ea	34.00/2.89



45014



45014



36102124

## BLENDED HORSEHAIR

- Horsehair and Polypropylene bristles blended to sweep fine particles on hard, smooth surfaces
- combines sweeping effectiveness of Horsehair with the durability of long-lasting synthetic bristles

Prod. No.	Carlisle No.	Previous Flo-Pac® No.	Description	Case Pack	Case Wt./ Cube
<b>Hardwood Block – 3" Trim</b>					
<b>BLACK(03)</b>					
45030	41601/45030	40-18	18" Blended Horsehair Sweep	12 ea	23.00/2.06
45031	41409/45031	40-24	24" Blended Horsehair Sweep	12 ea	30.00/2.69
45032	45032	40-36	36" Blended Horsehair Sweep	6 ea	22.25/2.22
<b>Plastic Block – 3" Trim</b>					
<b>COLOR(00)</b>					
40561	N/A	N/A	18" Blended Horsehair Sweep	12 ea	25.00/2.14
40562	N/A	N/A	24" Blended Horsehair Sweep	12 ea	31.00/2.61



45031



45062

## PURE HORSEHAIR

- 100% black Horsehair for use on hardwood floors, tile and other smooth surfaces

Prod. No.	Carlisle No.	Previous Flo-Pac® No.	Description	Case Pack	Case Wt./ Cube
<b>Hardwood Block – 2-7/8" Trim</b>					
<b>BLACK(03)</b>					
3643418	N/A	434-18	18" Horsehair Sweep	12 ea	25.00/2.06
3643424	N/A	434-24	24" Horsehair Sweep	12 ea	32.00/2.69
3643436	N/A	434-36	36" Horsehair Sweep	6 ea	24.00/2.22



3643424



# FLO-PAC® FINE/MEDIUM FLOOR SWEEPS

From general to light industrial to warehouse and commercial applications, our Flo-Pac® line of fine to medium floor sweeps provides a large selection of material choices to fit your operational needs. All handles are sold separately. See pages 178-181 for handle recommendations.

## POLYPROPYLENE

- will not absorb moisture; resistant to most chemicals, acids and oils
- durable synthetic sweep can be washed to extend performance life
- great for light industrial use

Prod. No.	Previous Carlisle No.	Flo-Pac® No.	Description	Case Pack	Case Wt./Cube
<b>Hardwood Block – 3" Trim BLACK(03)</b>					
45072	45072	208P-18	18" Polypropylene Sweep	12 ea	23.00/2.06
45073	45073	208P-24	24" Polypropylene Sweep	12 ea	30.00/2.69
36208P30	N/A	208P-30	30" Polypropylene Sweep	6 ea	21.00/2.07
45074	45074	208P-36	36" Polypropylene Sweep	6 ea	22.00/2.22
<b>Plastic Block – 3" Trim BLACK(03)</b>					
362208P18	40584	2208P-18	18" Polypropylene Sweep	12 ea	26.50/2.06
362208P24	40585	2208P-24	24" Polypropylene Sweep	12 ea	34.00/2.69



45073



362208P24

## TAMPICO

- fine/medium Tampico fiber resists heat and chemicals
- available in 2-1/2" or 3" trim to meet your sweeping needs

Prod. No.	Previous Carlisle No.	Flo-Pac® No.	Description	Case Pack	Case Wt./Cube
<b>Hardwood Block – 2-1/2" Trim COLOR(03)</b>					
45061	45061	25-18	18" Tampico Sweep	12 ea	23.50/2.13
45062	45062	25-24	24" Tampico Sweep	12 ea	30.00/2.89
45063	45063	25-36	36" Tampico Sweep	6 ea	20.50/2.22
<b>Hardwood Block – 3" Trim COLOR(03)</b>					
45051	45051	208-14	14" Tampico Sweep	12 ea	19.50/1.63
45053	45053	208-18	18" Tampico Sweep	12 ea	25.50/2.06
45054	45054	208-24	24" Tampico Sweep	12 ea	32.50/2.69
3620830	N/A	208-30	30" Tampico Sweep	6 ea	20.75/2.07
45056	45056	208-36	36" Tampico Sweep	6 ea	25.00/2.22
<b>Plastic Block – 3" Trim COLOR(00)</b>					
40564	N/A	N/A	18" Tampico Sweep	12 ea	15.00/1.17
40565	N/A	N/A	24" Tampico Sweep	12 ea	34.00/2.61



45062



45054



40565

## HORSEHAIR BLEND BORDER WITH TAMPICO CENTER

- moves debris and controls dust and fine particles in general purpose and light industrial applications

Prod. No.	Previous Carlisle No.	Flo-Pac® No.	Description	Case Pack	Case Wt./Cube
<b>Hardwood Block – 3" Trim COLOR(03)</b>					
45040	45040	50-18	18" Horsehair Blend Sweep w/Tampico Center	12 ea	24.00/2.06
45041	45041	50-24	24" Horsehair Blend Sweep w/Tampico Center	12 ea	31.00/2.69
45043	45043	50-36	36" Horsehair Blend Sweep w/Tampico Center	6 ea	24.50/2.22



45041

# FLO-PAC® FINE/MEDIUM FLOOR SWEEPS

## HORSEHAIR BLEND BORDER WITH POLYPROPYLENE CENTER

- for sweeping fine to medium particles
- general purpose and light industrial applications



Prod. No.	Previous Carlisle No.	Flo-Pac® No.	Description	Case Pack	Case Wt./ Cube
<b>Hardwood Block – 3" Trim BLACK(03)</b>					
362018	N/A	20-18	18" Horsehair Blend Sweep w/Polypropylene Center	12 ea	23.00/2.06
362024	N/A	20-24	24" Horsehair Blend Sweep w/Polypropylene Center	12 ea	30.00/2.69
362036	N/A	20-36	36" Horsehair Blend Sweep w/Polypropylene Center	6 ea	22.00/2.22

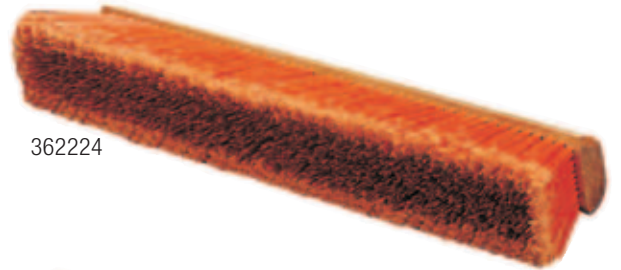


362024

## FLAGGED POLYPROPYLENE BORDER WITH HEAVY POLYPROPYLENE CENTER

- orange color Polypropylene bristles add safety in the workplace and high traffic areas
- flagged border controls dust; heavy plastic center loosens dirt
- good for all around use on smooth and medium surfaces

Prod. No.	Previous Carlisle No.	Flo-Pac® No.	Description	Case Pack	Case Wt./ Cube
<b>Flagged Bristles w/Hardwood Block – 3" Trim ORANGE(24)</b>					
362218	45110	22-18	18" Polypropylene Sweep w/Heavy Polypropylene Center	12 ea	22.50/2.06
362224	45111	22-24	24" Polypropylene Sweep w/Heavy Polypropylene Center	12 ea	29.50/2.69
362236	45102	22-36	36" Polypropylene Sweep w/Heavy Polypropylene Center	6 ea	24.00/2.22
36102218	45160	1022-18	18" Juno Style Polypropylene Sweep w/Heavy Polypropylene Center	12 ea	22.50/2.06
36102224	N/A	1022-24	24" Juno Style Polypropylene Sweep w/Heavy Polypropylene Center	12 ea	29.50/2.69
36102236	N/A	1022-36	36" Juno Style Polypropylene Sweep w/Heavy Polypropylene Center	6 ea	20.50/2.22



362224



36102224

## MEDIUM POLYPROPYLENE BORDER WITH HEAVY POLYPROPYLENE CENTER

- aggressive center with a medium border
- light industrial or wet applications
- not affected by petroleum products

Prod. No.	Previous Carlisle No.	Flo-Pac® No.	Description	Case Pack	Case Wt./ Cube
<b>Medium Bristles w/Hardwood Block – 3-1/4" Trim BLACK(03)</b>					
366218	N/A	62-18	18" Polypropylene Sweep w/Heavy Polypropylene Center	12 ea	24.50/2.06
366224	N/A	62-24	24" Polypropylene Sweep w/Heavy Polypropylene Center	12 ea	31.50/2.69
366236	N/A	62-36	36" Polypropylene Sweep w/Heavy Polypropylene Center	6 ea	23.25/2.22



366224

# FLO-PAC® MEDIUM FLOOR SWEEPS

Flo-Pac®'s medium sweeps have heavier center bristles for loosening heavy, dried, soiled patches and medium to light border bristles to pick up the finer particles. These dual-fill, medium sweeps are ideal for light manufacturing areas. All handles are sold separately. See pages 178-181 for handle recommendations.

## TAMPICO WITH WIRE CENTER

- medium sweeping Tampico with one row of wire to loosen and remove soil and debris; shop and warehouse applications

Prod. No.	Previous		Description	Case Pack	Case Wt./ Cube
	Carlisle No.	Flo-Pac® No.			
<b>Hardwood Block – 3" Trim</b>					
<b>COLOR(00)</b>					
45135	45135	012-18	18" Tampico Sweep w/Wire Center	12 ea	27.00/2.06
45136	45136	012-24	24" Tampico Sweep w/Wire Center	12 ea	36.00/2.69
3601236	N/A	012-36	36" Tampico Sweep w/Wire Center	6 ea	26.00/2.22



## HORSEHAIR/POLYPROPYLENE WITH WIRE CENTER

- wire center removes stubborn debris; shop and warehouse applications

Prod. No.	Previous		Description	Case Pack	Case Wt./ Cube
	Carlisle No.	Flo-Pac® No.			
<b>Hardwood Block – 3" Trim</b>					
<b>COLOR(03)</b>					
3602418	N/A	024-18	18" Horsehair/Polypropylene Sweep w/Wire Center	12 ea	26.00/2.06
3602424	N/A	024-24	24" Horsehair/Polypropylene Sweep w/Wire Center	12 ea	34.00/2.69
3602436	N/A	024-36	36" Horsehair/Polypropylene Sweep w/Wire Center	6 ea	26.00/2.22



## JUNO STYLE POLYPROPYLENE WITH WIRE CENTER

- wire center loosens tough debris
- perfect for all around commercial applications

Prod. No.	Previous		Description	Case Pack	Case Wt./ Cube
	Carlisle No.	Flo-Pac® No.			
<b>Hardwood Block – 3" Trim</b>					
<b>BLACK(03)</b>					
36102424	N/A	1024-24	24" Juno Style Polypropylene Sweep w/Wire Center	12 ea	32.50/2.69
36102436	N/A	1024-36	36" Juno Style Polypropylene Sweep w/Wire Center	6 ea	24.50/2.22



# FLO-PAC® COARSE/HEAVY SWEEPS



For the heavier industrial applications where water, sweeping compounds and cleaning solvents are used, Flo-Pac®'s Coarse and Heavy Floor Sweeps are the perfect choice for optimum cleaning results. All handles are sold separately. See pages 178-181 for handle recommendations.

## HEAVY POLYPROPYLENE

- stiff bristles hold up on sidewalks, parking lots, and other rough surfaces; not affected by water or petroleum products

Prod. No.	Previous		Description	Case Pack	Case Wt./ Cube
	Carlisle No.	Flo-Pac® No.			
<b>Hardwood Block – 4" Trim</b>					
<b>COLOR(00)</b>					
367518	41623	75-18	18" Synthetic Palmyra Sweep	12 ea	26.00/2.55
367524	41624	75-24	24" Synthetic Palmyra Sweep w/Brace	12 ea	35.00/3.27
367536	N/A	75-36	36" Synthetic Palmyra Sweep w/Brace	6 ea	28.00/2.56
<b>Hardwood Block – 3-1/4" Trim</b>					
<b>MAROON(01)</b>					
45201	45201	72-18	18" Heavy Polypropylene Sweep	12 ea	22.50/2.06
45202	45202	72-24	24" Heavy Polypropylene Sweep w/Brace	12 ea	29.00/2.69
367230	N/A	72-30	30" Heavy Polypropylene Sweep w/Brace	6 ea	21.75/2.07
45204	45204	72-36	36" Heavy Polypropylene Sweep w/Brace	6 ea	22.25/2.22
<b>ORANGE(24)</b>					
367618	40625	76-18	18" Heavy Polypropylene Sweep	12 ea	22.50/2.06
367624	40626	76-24	24" Heavy Polypropylene Sweep w/Brace	12 ea	29.00/2.69
367236	41367	76-36	36" Heavy Polypropylene Sweep w/Brace	6 ea	27.75/2.22
<b>Plastic Block – 3-1/4" Trim</b>					
<b>MAROON(00)</b>					
36207218	40586/ 45211	2072-18	18" Heavy Polypropylene Sweep	12 ea	25.50/2.55
36207224	40587/ 45212	2072-24	24" Heavy Polypropylene Sweep	12 ea	32.50/3.27

## NATURAL FIBER PALMYRA

- natural fiber Palmyra bristles for sweeping heavy debris

Prod. No.	Previous		Description	Case Pack	Case Wt./ Cube
	Carlisle No.	Flo-Pac® No.			
<b>Hardwood Block – 4" Trim</b>					
<b>COLOR(00)</b>					
45221	45221	70-18	18" Palmyra Floor Sweep	12 ea	22.50/2.55
45222	45222	70-24	24" Palmyra Floor Sweep w/Brace	12 ea	29.00/3.27
45224	45224	70-36	36" Palmyra Floor Sweep w/Brace	6 ea	24.00/2.56

## NEW! PUSH 'N PULL™ STADIUM BROOM

- ideal for cleaning under public seating in stadium, theatres, and on public transportation such as buses, trains, and aircraft
- narrow head and dual angle bristles give easy reach under seats and comfortable sweeping down aisle lengths
- short, stiff Polypropylene fill works to gather large debris from under seating area
- long fill on sharp attack angle allows easy sweeping of gathered debris down aisle

**new!**

Prod. No.	Previous		Description	Case Pack	Case Wt./ Cube
	Carlisle No.	Flo-Pac® No.			
<b>Wood Block – 1-1/8" &amp; 2-1/2" Trim Size</b>					
<b>COLOR(03)</b>					
45757	N/A	N/A	NEW! 13" Push 'N Pull™ Stadium Broom	12 ea	15.75/1.57



recommended handle: 3620044 48" Lumathread handle



# FLO-PAC® COARSE/HEAVY SWEEPS

## SCRAPERBROOM® SWEEP

- shaped steel blade for scraping caked-on debris
- includes handle connection, handle, and brace

Prod. No.	Previous Carlisle No.	Flo-Pac® No.	Description	Case Pack	Case Wt./Cube
<b>Hardwood Block &amp; Scraper – 3-1/4" Trim</b>					
<b>ORANGE(24)</b>					
369524	N/A	95-24	24" Polypropylene Sweep w/Steel Scraper Blade	3 ea	16.00/1.98



## INDUSTRIAL STRENGTH JUNO STYLE

- bolt-on handle system for secure handle attachment
- Orange colored bristles add safety in the workplace and high traffic areas
- great for industrial applications; sweep can be reversed for longer life

Prod. No.	Previous Carlisle No.	Flo-Pac® No.	Description	Case Pack	Case Wt./Cube
<b>Hardwood Block – 3-1/4" Trim</b>					
<b>ORANGE(24)</b>					
36107618	45180	1076-18	18" Juno Style Polypropylene Sweep	12 ea	22.50/2.06
36107624	45181	1076-24	24" Juno Style Polypropylene Sweep	12 ea	29.00/2.69
36107636	45182	1076-36	36" Juno Style Polypropylene Sweep	6 ea	20.75/2.22



# FLO-PAC® HEAVY STREET SWEEPS

Flo-Pac®'s line of Heavy Street Sweeps are constructed to provide heavy-duty abrasiveness to clean heavily soiled rough surfaces. All handles are sold separately. Recommend tapered handles for all heavy street sweeps. See pages 178-181 for handle recommendations.

## HEAVY POLYPROPYLENE

- durable, tough, long-wearing crimped bristles are perfect for street crews, construction, and other demanding work sites

Prod. No.	Previous Carlisle No.	Flo-Pac® No.	Description	Case Pack	Case Wt./Cube
<b>Hardwood Block – 5-1/8" Trim</b>					
<b>BROWN(01)</b>					
36113016	N/A	BRONCO-16	16" Heavy Polypropylene Sweep	12 ea	32.00/2.87
36113018	N/A	BRONCO-18	18" Heavy Polypropylene Sweep	6 ea	17.00/2.15
36113024	N/A	BRONCO-24	24" Heavy Polypropylene Sweep	6 ea	21.00/2.37
<b>Hardwood Block – 4-1/2" Trim</b>					
<b>BLUE(14)</b>					
36114016	N/A	BULLDZR-16	16" Heavy Polypropylene Sweep	12 ea	34.00/2.87
36114018	N/A	BULLDZR-18	18" Heavy Polypropylene Sweep	6 ea	20.00/2.15
36114024	N/A	BULLDZR-24	24" Heavy Polypropylene Sweep	6 ea	24.50/2.07
<b>Hardwood Block – 5-1/8" Trim</b>					
<b>ORANGE(24)</b>					
361116	40615	1116	16" Heavy Polypropylene Sweep	12 ea	31.50/2.87
361118	N/A	1118	18" Heavy Polypropylene Sweep	6 ea	18.00/2.15
361124	41290	1124	24" Heavy Polypropylene Sweep	6 ea	22.00/2.07



## NATURAL FIBER PALMYRA

- natural Palmyra bristles are perfect for wet and dry applications, farm, and street use
- economical and durable

Prod. No.	Previous Carlisle No.	Flo-Pac® No.	Description	Case Pack	Case Wt./Cube
<b>Hardwood Block – 6-1/4" Trim</b>					
<b>COLOR(01)</b>					
45236	45231/ 45236	516	16" Palmyra Street Sweep	6 ea	28.50/3.38





# FLOOR, DECK & BASEBOARD SCRUB BRUSHES

From quick cleaning to heavy duty extra aggressive scrubbing, Flo-Pac® has the scrub brush that fits the job. A variety of natural and man-made bristle fibers in several block styles and sizes to make cleaning easier.



## NATURAL FIBER DECK SCRUB BRUSHES

- Palmyra bristles are perfect for scrubbing rough surfaces or etching floors
- Tampico bristles provide durability and high resistance to solvents and heat
- 36395 has durable rubber squeegee built into block
- handles sold separately; see pages 178-181 for handle recommendations

Prod. No.	Previous		Description	Case Pack	Case Wt./ Cube
	Carlisle No.	Flo-Pac® No.			
<b>Hardwood Block – 2" Trim</b>					
<b>COLOR(00)</b>					
36192	45290	192	10" Palmyra Deck Scrub	12 ea	12.50/0.76
36292	45291	292	12" Palmyra Deck Scrub	12 ea	15.00/0.97
36395	41686/ 45321	395	14" Palmyra Deck Scrub w/Squeegee	12 ea	17.50/1.17
36193	45295	193	10" Tampico Deck Scrub	12 ea	13.00/0.76



36192



36193

## BASEBOARD SCRUB

- DuPont Tynex®\* A Nylon for aggressive floor scrubbing and stripping
- use in corners, along baseboards and areas where floor machines can't reach
- handles sold separately; see pages 178-181 for handle recommendations

Prod. No.	Previous		Description	Case Pack	Case Wt./ Cube
	Carlisle No.	Flo-Pac® No.			
<b>Hardwood Block – 1-3/4" Trim</b>					
<b>COLOR(00)</b>					
36191	45311	191	10" Tynex® A Grit Nylon Deck Scrub	12 ea	14.00/0.76



36191

\*Tynex® A Nylon is a registered Trademark of DuPont

## POLYPROPYLENE DECK SCRUB BRUSHES

- crimped Polypropylene bristles are chemical resistant and hold solutions well
- synthetic filament is not affected by solvents or acids; good for general scrubbing
- handles sold separately; see pages 178-181 for handle recommendations

Prod. No.	Previous		Description	Case Pack	Case Wt./ Cube
	Carlisle No.	Flo-Pac® No.			
<b>Hardwood Block – 2" Trim</b>					
<b>BLUE(14)</b>					
36175	41687	175	10" Stiff Polypropylene Deck Scrub	12 ea	11.50/0.76
36275	41688	275	12" Stiff Polypropylene Deck Scrub	12 ea	14.50/0.97
36193P	N/A	193P	10" Polypropylene Deck Scrub	12 ea	11.50/0.76
36293P	N/A	293P	12" Polypropylene Deck Scrub	12 ea	14.50/0.97
36393P	41685	393P	14" Polypropylene Deck Scrub	12 ea	16.50/1.17
<b>ORANGE(24)</b>					
36198	N/A	198	10" Polypropylene Deck Scrub	12 ea	11.50/0.72
<b>YELLOW(04)</b>					
36193MX	N/A	193MX	10" Polypropylene Deck Scrub	12 ea	12.00/0.76



36175



36193P



36198

# FLOOR, DECK & BASEBOARD SCRUB BRUSHES

## SWIVEL SCRUB® BRUSHES

- swivels onto its side to clean baseboards, walls, around kitchen equipment, and hard-to-reach areas where floor machines can't reach
- use the General Scrub for routine scrubbing and Power Scrub for heavy scrubbing and stripping of wax build up
- Polyester Scrub (3638831) resists water, high temperatures, acids, alkalis and most cleaning solutions
- All-Around™ Polypropylene Scrub (40430) with its stiff Polypropylene bristles gets into places that would be impossible with a normal floor brush
- Swivel Scrub® with Polyester Bristles is perfect for everyday use in hotels/motels, food preparation, food processing, schools and health care facilities
- handles sold separately; see pages 178-181 for handle recommendations



365300



365310



3638831



40430

Prod. No.	Previous Carlisle No.	Flo-Pac® No.	Description	Case Pack	Case Wt./Cube
<b>Plastic Block</b>					
<b>BLUE(14)</b>					
365300	40432	5300	8" General Scrub w/Tynex®*A Grit Nylon Bristles	12 ea	9.50/0.61
<b>RUST(27)</b>					
365310	N/A	5310	8" Power Scrub w/Heavy Grit Nylon (Tynex®* A) Bristles	12 ea	9.50/0.61
<b>BLACK(03)</b>					
3638831	N/A	38831	8" Swivel Scrub® w/Polyester Bristles	12 ea	8.00/0.67
<b>COLOR(00)</b>					
40430	N/A	N/A	9" All-Around™ Brush w/Stiff Polypropylene Bristles	12 ea	12.96/1.83

\*Tynex® A Nylon is a registered Trademark of DuPont

## STIFF POLYPROPYLENE SCRUBBER

- triangular design cleans baseboards, moldings and floor edges
- Polypropylene for general scrubbing or grit-impregnated Nylon for heavy-duty scrubbing
- handles sold separately; see pages 178-181 for handle recommendations

Prod. No.	Previous Carlisle No.	Flo-Pac® No.	Description	Case Pack	Case Wt./Cube
<b>Hardwood Block – 1-1/8" Trim</b>					
<b>BLUE(14)</b>					
361966	45343	1966	Triangle Scrubber w/Polypropylene Bristles	12 ea	8.50/0.74



361966

# FLOOR, DECK & BASEBOARD SCRUB BRUSHES

## DUAL SURFACE® & HI-LO® FLOOR SCRUBS

- crimped bristles wash easily and prevent gathering of mold and mildew
- split shape is efficient for cleaning flat surfaces, under counters, around equipment and along baseboards
- 36190 has molded-in squeegee for water control
- 40422 has end bristles that provide efficient scrubbing of baseboards and corners without having to change tools
- 36197 has Flo-Thru channels
- handles sold separately; see pages 178-181 for handle recommendations

Prod. No.	Previous Carlisle No.	Flo-Pac® No.	Description	Case Pack	Case Wt./Cube
<b>Plastic Block</b>					
<b>BLUE(14)</b>					
36190	40421	190	10" Dual Surface® Floor Scrub w/Polypropylene Bristles & Rubber Squeegee	12 ea	20.00/1.17
36197	N/A	197	10" Dual Surface® Floor Scrub w/Polypropylene Bristles	12 ea	16.00/1.34
<b>BLACK(03), BLUE(14), GREEN(09), RED(05), TAN(25), WHITE(00)</b>					
40422	40422	189	10" Dual Surface® Polypropylene Floor Scrub w/Side Bristles	12 ea	9.00/0.60
<b>BLACK(03), BLUE(14), GREEN(09), RED(05), TAN(25), WHITE(02)</b>					
40423	N/A	38850	10" Hi-Lo™ Scrub Brush	12 ea	15.96/1.30
40423	N/A	38851	10" Hi-Lo™ Scrub Brush	12 ea	15.96/1.30
40423	N/A	38853	10" Hi-Lo™ Scrub Brush	12 ea	15.96/1.30
40423	N/A	38855	10" Hi-Lo™ Scrub Brush	12 ea	15.96/1.30
40423	N/A	38856	10" Hi-Lo™ Scrub Brush	12 ea	15.96/1.30
40423	N/A	38857	10" Hi-Lo™ Scrub Brush	12 ea	15.96/1.30
<b>COLOR(00)</b>					
40421	N/A	N/A	10" Hi-Lo™ Floor Scrub w/Squeegee	12 ea	16.20/1.28
45331	N/A	N/A	10" Hi-Lo™ Floor Scrub w/0.040 Zim-Grit®	12 ea	17.76/1.24



36190



36197



40422



45331



40423

## GROUT LINE & TILE GROUT BRUSHES

- 365320 has bevel cut bristles that get into grout lines; clean grout from a standing position; pivoting head lets the brush glide along grout lines, in corners and other hard-to-reach areas
- stiff crimped Nylon bristles remove dirt, grime, and residue
- 41323 has FDA approved block and bristles
- 41323 Sparta® Spectrum® Tile & Grout Brush with molded-in scraper is a dual purpose brush that can be held in your hand or used with a threaded handle in two different positions for effectively removing stubborn stains from grouted tile
- handles sold separately; see pages 178-181 for handle recommendations

Prod. No.	Previous Carlisle No.	Flo-Pac® No.	Description	Case Pack	Case Wt./Cube
<b>Plastic Block</b>					
<b>BLACK(03)</b>					
365320	N/A	5320	7-1/2" Pivoting Brush Head	12 ea	3.75/0.29
365351	N/A	5351	8-1/8" Grout Brush	24 ea	2.00/0.42
<b>BLUE(14), GREEN(09), RED(05), WHITE(02), YELLOW(04) – 1" Trim</b>					
41323	N/A	N/A	Tile & Grout Brush	12 ea	7.56/0.79

365351

365320



41323





# UPRIGHT BROOMS

Carlisle's new Duo-Sweep® Angle Brooms are designed to provide general purpose sweeping, reaching into corners, along walls, or into hard to reach areas for fast, efficient cleaning. From lobby to light industrial, medium to heavy duty, to color coded, this angle broom is well suited for theater lobbies, restaurants, convention centers, malls, and theme parks, plus processing plants.

## NEW! DUO-SWEEP® ANGLE BROOMS

- no hood/shroud to break or gather soils leading to cross-contamination issues
- excellent balance to reduce sweeping fatigue
- two handle holes; one angled, one upright
- use lobby brooms with dust pans (sold separately) for continuous cleaning of convention centers, malls, and theme parks
- 8" and 12" bristle flare

Prod. No.	Description	Case Pack	Case Wt./Cube
<b>COLOR(00)</b>			
<b>Flagged w/Metal Handle</b>			
36861	NEW! Duo-Sweep® 30" Lobby Angle Broom w/8" Flare Polypropylene Bristles	12 ea	9.80/1.49
36865	NEW! Duo-Sweep® 48" Medium Duty Angle Broom w/12" Flare Polypropylene Bristles	12 ea	19.00/4.92
<b>Unflagged w/Metal Handle</b>			
36885	NEW! Duo-Sweep® 48" Heavy Duty Angle Broom w/12" Flare Polypropylene Bristles	12 ea	19.00/4.92
<b>REPLACEMENTS</b>			
<b>COLOR(00)</b>			
<b>Flagged</b>			
36866	NEW! Duo-Sweep® Lobby Angle Broom w/8" Flare Polypropylene Bristles (Head Only)	12 ea	6.00/1.01
36867	NEW! Duo-Sweep® Medium Duty Angle Broom w/12" Flare Polypropylene Bristles (Head Only)	12 ea	9.00/1.47
<b>Unflagged</b>			
36868	NEW! Duo-Sweep® Heavy Duty Angle Broom w/12" Flare Polypropylene Bristles (Head Only)	12 ea	9.00/1.47
<b>SPARTA® SPECTRUM® DUO-SWEEPS®</b>			
<b>BLUE(14), BROWN(01), GREEN(09), RED(05), TAN(25), WHITE(02), YELLOW(04)</b>			
<b>Flagged w/Fiberglass Handle</b>			
41082	NEW! Sparta® Spectrum® Duo-Sweep® 48" Angle Broom w/Polypropylene Bristles	12 ea	21.00/4.92
<b>Unflagged w/Fiberglass Handle</b>			
41083	NEW! Sparta® Spectrum® Duo-Sweep® 48" Angle Broom w/Polypropylene Bristles	12 ea	21.00/4.92

**new!**



# UPRIGHT BROOMS

## DUO-SWEEP® BROOMS

- two handle holes; one angled, one upright
- flagged blue filament sweeps fine debris; use black stiff filament for heavier sweeping
- use lobby brooms with dust pans (sold separately) for continuous cleaning of convention centers, malls, and theme parks
- 36859, 36863, 36860 and 36864 have a 4" bristle trim; 36883 and 36884 have 7" bristle trim

Prod. No.	Previous Carlisle No.	Flo-Pac® No.	Description	Case Pack	Case Wt./ Cube
<b>BLUE(14) – Flagged</b>					
36859	45650	859	Duo-Sweep® Lobby Broom w/30" Metal Handle*	12 ea	9.00/1.56
36863	N/A	863	Duo-Sweep® Light Industrial w/48" Metal Handle*	12 ea	15.50/3.78
36883	N/A	883	Duo-Sweep® Warehouse Broom w/48" Metal Handle*	12 ea	17.00/4.63
<b>BLACK(03) – Stiff Filament</b>					
36860	45651	860	Duo-Sweep® Lobby Broom w/30" Metal Handle*	12 ea	10.00/1.33
36864	N/A	864	Duo-Sweep® Light Industrial Broom w/48" Metal Handle*	12 ea	16.00/3.78
36884	N/A	884	Duo-Sweep® Warehouse Broom w/48" Metal Handle*	12 ea	17.00/4.63

\*Handle Included

### REPLACEMENTS

Prod. No.	Previous Carlisle No.	Flo-Pac® No.	Description	Case Pack	Case Wt./ Cube
<b>BLUE(14) – Flagged</b>					
36858	N/A	858	Duo-Sweep® Lobby, Head Only	12 ea	6.00/1.01
36873	N/A	873	Duo-Sweep® Warehouse, Head Only	12 ea	9.00/1.47
36853	N/A	853	Duo-Sweep® Light Industrial, Head Only	12 ea	8.50/0.74
<b>BLACK(03) – Stiff Filament</b>					
36862	N/A	862	Duo-Sweep® Lobby, Head Only	12 ea	9.00/0.33
36854	N/A	854	Duo-Sweep® Light Industrial, Head Only	12 ea	9.00/0.74
36874	N/A	874	Duo-Sweep® Warehouse, Head Only	12 ea	9.00/1.47



36859



36863



36864



36884



36862



36854



36853



36873

## METAL CAP BROOM

- metal top for added durability, wet or dry use
- ideal for use in creameries, breweries and warehouses
- maintains a straight sweeping edge and will not shed

Prod. No.	Previous Carlisle No.	Flo-Pac® No.	Description	Case Pack	Case Wt./ Cube
<b>COLOR(00)</b>					
45647	N/A	974	51" Broom w/Palmyra Bristles	6 ea	16.50/1.50



45647

# UPRIGHT BROOMS

## SYNTHETIC CORN BROOMS

- provides angle broom sweeping performance at a corn broom price
- chemical and liquid resistant bristles; sustains temperatures to 225°F
- “X” shaped bristles allow for superior sweeping on carpeting and entry mats
- 41679 has a foam gripped handle

Prod. No.	Previous		Description	Case Pack	Case Wt./ Cube
	Carlisle No.	Flo-Pac® No.			
<b>Wood Handle</b>					
<b>BLACK(03)</b>					
41679	N/A	N/A	Warehouse/Janitor Broom	12 ea	27.00/2.86
41680	N/A	N/A	Maid/Parlor Broom	12 ea	24.00/2.86
41683	N/A	N/A	Toy/Lobby Broom	12 ea	10.50/1.21
<b>COLOR(00)</b>					
36634	41682	634	Plastic Corn Whisk	12 ea	4.00/0.52



## CORN BROOMS

- 100% natural corn blend brooms
- high bristle fill count for extended use; excellent durability and value
- 36633 whisk broom has a hanging loop

Prod. No.	Previous		Description	Case Pack	Case Wt./ Cube
	Carlisle No.	Flo-Pac® No.			
<b>Wood Handle</b>					
<b>COLOR(00)</b>					
36633	40550/ 41559	633	10" Corn Whisk	12 ea	4.00/0.52
3681	N/A	81	34" Corn Lobby Broom	12 ea	7.00/2.22
3682	40632/ 406721/41341	82	40" Corn Lobby Broom	12 ea	9.00/2.61
41352	N/A	890	55" Parlor Broom	12 ea	24.00/2.26
36855	N/A	855	Warehouse Broom	12 ea	33.00/5.06
<b>COLOR(67)</b>					
41349	N/A	861	55" Housekeeping Broom	12 ea	33.96/3.61
41350	41371	880	56" Janitor Broom	12 ea	33.00/6.22
41354	N/A	850	56" Heavy Duty Warehouse Broom	12 ea	30.48/2.00





# DUST PANS & SWEEPER

## PLASTIC DUST PAN

- accepts threaded handle 36202025 (sold separately) so it can be used as a lobby pan
- finger grip comfort handle that slips over the top of a 15/16" or 1-1/8" broom handle

Prod. No.	Previous		Description	Case Pack	Case Wt./ Cube
	Carlisle No.	Flo-Pac® No.			
<b>Plastic BLACK(03)</b>					
361437	40660	1437	12" x 8" Flexible Dust Pan	24 ea	13.00/2.83

## METAL DUST PANS

- classic design made of heavy-gauge steel
- one-piece design enhances the dust pan's durability

Prod. No.	Previous		Description	Case Pack	Case Wt./ Cube
	Carlisle No.	Flo-Pac® No.			
<b>Heavy Gauge Steel BLACK(03)</b>					
36236	40661	236	12" Metal Dust Pan	12 ea	14.00/0.96
36237	N/A	237	16" Metal Dust Pan	12 ea	28.00/2.52
<b>Steel Handle COLOR(00)</b>					
40663	N/A	N/A	12" Lobby Dust Pan	6 ea	25.80/4.10

## DUO-PAN™ – LOBBY BROOM & DUST PAN

- pivoting bucket locks open for hands-free disposal
- designed for use on both hard or soft floor surfaces

Prod. No.	Previous		Description	Case Pack	Case Wt./ Cube
	Carlisle No.	Flo-Pac® No.			
<b>BLACK(03)</b>					
361410	40662	1410	Duo-Pan™ Lobby Upright Dust Pan	6 ea	13.75/1.64
361411	N/A	1411	Duo-Pan™ Lobby Dust Pan Combo with Clip	1 ea	21.50/6.36
<b>Accessories</b>					
361412	N/A	1412	Duo-Pan™ Broom Handle Clip	12 ea	0.50/0.19

## NEW! DUO-SWEEPER™ MECHANICAL SWEEPER

- glides easily on carpets and hard floor surfaces
- synthetic bristles sweep up fine particles and heavy debris quickly
- 3-piece sectional handle for easy storage

Prod. No.	Previous		Description	Case Pack	Case Wt./ Cube
	Carlisle No.	Flo-Pac® No.			
<b>COLOR(14)</b>					
36398	N/A	N/A	NEW! Duo-Sweeper™ Mechanical Sweeper	4 ea	14.00/1.56



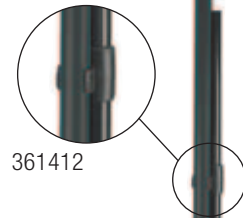
361437



36237



36236



361412



361410

361411



**new!**



36398

# WET MOP BASICS



## BAND STYLES



### WIDE BAND

Vinyl coated mesh. 5" Width



### NARROW BAND

Textured polyester tape.  
1-1/4" Width



### SCREW TOP

Textured polyester tape with  
a metal screw on attachment.  
1-1/4" Width

Professional grade mops and accessories make floor care easier. Carlisle offers a wide selection of hard-working products to help you run a smarter, safer and more profitable operation. Use the guide below to help choose the right products for your floor care needs.

## YARN

With a variety of mops to choose from, it's important to choose the right one for your job in order to get maximum efficiency and value from a wet mop. Some yarns naturally perform specific cleaning tasks better than others.

YARN TYPE	ADVANTAGES	DISADVANTAGES	USE
<b>COTTON</b>	Good absorption & retention with limited shrinkage and a low initial cost.	Break-in period required. Slow drying yarn promotes mildew and deterioration. Lints.	Designed for general use. Scrubbing and cleaning up liquids.
<b>RAYON</b>	Absorbs quickly with easy release. Dries fast and is mildew resistant. Cleaner yarn with less linting.	Shrinks when laundered and has less liquid retention.	Use for applying liquids such as disinfectant or floor finishes.
<b>SYNTHETIC</b>	Long stable fiber offers excellent tensile strength without linting.	Higher cost. Poor absorption.	Rough surfaces.
<b>BLENDS</b>	Excellent choice based on performance, price and durability. Synthetic fiber offers durability and color options.	Possible shrinkage.	Requested by professionals who require a better, longer lasting mop.

## YARN PLY

The term yarn ply indicates the number of strands twisted together to make a single yarn strand. Although more plies give added strength, it does not always mean higher quality yarn. More strands can add durability, but they decrease absorbency so it's better and more cost effective to choose a higher quality yarn than a high ply, low quality yarn.

## TWIST

The "twist" of a yarn is a result of how tightly the fiber strands are wound together. A tightly twisted yarn might have more strength and last longer, but it can have less absorbency. Just like yarn ply, the best choice isn't determined by the yarn's twist, but by type and quality of the yarn, as well as the mop's construction. Mops with looped-end construction allow the yarn to have a loose twist without the fraying.

## CUT-END VS LOOPED-END MOPS

### CUT-END

Cut-end mops are the most popular. They have a lower purchase price and are perceived to be more economical. But because cut-end mops cannot be laundered they are often thrown away before their lifespan is complete making their ultimate cost higher. They cover less area per pass when mopping. Cut-end mops fray and unravel with use and have a tendency to leave behind loose strands and lint.

### LOOPED-END

**Outlast cut-end mops 8 to 1.** Looped-end mops offer a superior performance and last longer than cut-end style mops. Their tailband style gives better mopping coverage and the looped-ends prevent fraying and unraveling so you can enjoy reduced labor costs and lower replacement cost. Although their initial cost may be more expensive than a cut-end style, their long-lasting use and better mopping coverage ultimately make them a more economical choice.

# MOPPING SOLUTIONS

Whatever your environment, Carlisle's Flo-Pac® line of Wet Mops and Mop Handles provides you with a variety of material choices to fit your specific floor application.



## LOOPED END MOPS

- wide mesh band is ideal for stubborn scuff marks
- looped-end tail is perfect for floor coverage
- color-coded mops allow for assignment to specific work areas



Prod. No.	Previous Carlisle No.	Flo-Pac® No.	Description	Case Pack	Case Wt./ Cube
<b>4-Ply Synthetic/Cotton Blend Mop Heads</b>					
<b>COLOR(00)</b>					
369412	41636/ 41639	9412	Small Yellow Band Mop	12 ea	10.50/1.11
369418	41637/ 41640	9418	Medium Green Band Mop	12 ea	13.50/1.11
369424	41638/ 41641	9424	Large Red Band Mop	12 ea	19.00/2.01
369430	N/A	9430	X-Large Blue Band Mop	12 ea	23.00/2.01
<b>BLUE(14)</b>					
369442	N/A	9442	Small Yellow Band Mop	12 ea	10.50/1.11
369448	N/A	9448	Medium Green Band Mop	12 ea	13.50/1.11
369454	N/A	9454	Large Red Band Mop	12 ea	19.00/2.01
369460	N/A	9460	X-Large Blue Band Mop	12 ea	23.00/2.01
<b>GREEN(09)</b>					
369472	N/A	9472	Small Yellow Band Mop	12 ea	10.50/1.11
369478	41661	9478	Medium Green Band Mop	12 ea	13.50/1.11
369484	41662	9484	Large Red Band Mop	12 ea	19.00/2.01
369490	N/A	9490	X-Large Blue Band Mop	12 ea	23.00/2.01

369418

369454

Call Toll Free  
**800-654-8210**  
*or visit our web site*  
[www.carlislemp.com](http://www.carlislemp.com)

## WIDEBAND/TAILBAND MOP HEADS

- 5" color-coded headband
- looped-end tailband provides even coverage without tangles
- cotton mop heads are good for heavier cleaning applications and picking up liquids
- rayon mops are tightly twisted to help eliminate mildew and lint

Prod. No.	Previous Carlisle No.	Flo-Pac® No.	Description	Case Pack	Case Wt./ Cube
<b>4-Ply Cotton Mop Heads</b>					
369550	N/A	9550	Small Yellow Band Mop	12 ea	10.00/1.02
369551	N/A	9551	Medium Green Band Mop	12 ea	13.00/1.37
369552	N/A	9552	Large Red Band Mop	12 ea	17.50/1.51
369553	N/A	9553	X-Large Blue Band Mop	12 ea	22.50/1.77
<b>4-Ply Rayon Mop Heads</b>					
369250	N/A	9250	Small Yellow Band Mop	12 ea	10.00/1.02
369251	N/A	9251	Medium Green Band Mop	12 ea	13.00/1.33
369252	N/A	9252	Large Red Band Mop	12 ea	17.50/1.51
369253	N/A	9253	X-Large Blue Band Mop	12 ea	22.50/1.77



369552

369251

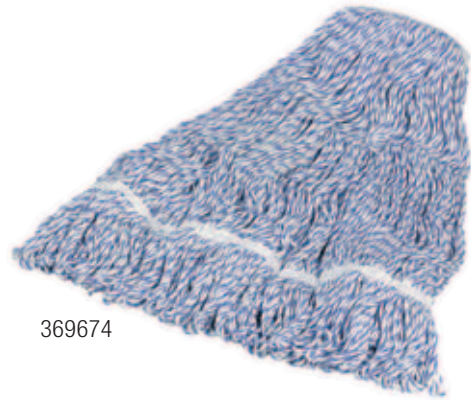


# MOPPING SOLUTIONS

## FINISHING MOPS

- holds more liquid and leaves less lint
- excellent for applying floor finish

Prod. No.	Previous		Description	Case Pack	Case Wt./ Cube
	Carlisle No.	Flo-Pac® No.			
<b>4-Ply Blue/White Rayon Blend BLUE(14)</b>					
369666	41642	9666	#16 Small Mop Head	12 ea	10.00/1.02
369670	41643	9670	#20 Medium Mop Head	12 ea	13.00/1.02
369674	41644	9674	#24 Large Mop Head	12 ea	17.50/1.33
369682	N/A	9682	#32 X-Large Mop Head	12 ea	22.50/1.77



369674

## ROUGH 'N READY™ ROUGH SURFACE MOP

- excellent for abrasive surfaces: stone, quarry tile, concrete
- 17 oz knitted “t-shirt” material has superior absorbency and great launderability

Prod. No.	Previous		Description	Case Pack	Case Wt./ Cube
	Carlisle No.	Flo-Pac® No.			
<b>COLOR(00)</b>					
369320	N/A	N/A	NEW! Rough n' Ready™ Medium Rough Surface Mop	12 ea	11.04/1.04



369320

## CUT END MOPS

### COTTON MOPS

- cotton mop heads provide high absorbency and long wear

Prod. No.	Previous		Description	Case Pack	Case Wt./ Cube
	Carlisle No.	Flo-Pac® No.			
<b>COLOR(00)</b>					
<b>4-Ply Cotton Mop Heads</b>					
369816	41645/ 41648	9816	#16 Small Mop Head	12 ea	10.00/0.73
369824	41646/ 41649	9824	#24 Large Mop Head	12 ea	16.00/1.44
369832	41647/ 41650	9832	#32 X-Large Mop Head	12 ea	19.50/1.76
<b>COLOR(14)</b>					
369820	N/A	9820	#20 Medium Mop Head	12 ea	13.00/0.95
<b>COLOR(00)</b>					
<b>4-Ply Cotton Cut End Mop Heads</b>					
41702	N/A	N/A	16 oz 5" Head Band Mop	12 ea	12.00/1.46
41700	N/A	N/A	24 oz 5" Head Band Mop	12 ea	18.00/1.54
41701	N/A	N/A	32 oz 5" Head Band Mop	12 ea	24.00/2.17
<b>8-Ply Cotton Cut End Mop Heads</b>					
369716	N/A	9716	#16 Select Cotton Narrow Head Band Mop Head	12 ea	12.00/1.11
369720	N/A	9720	#20 Select Cotton Narrow Head Band Mop Head	12 ea	15.00/1.39
369724	40324	9724	#24 Select Cotton Narrow Head Band Mop Head	12 ea	17.50/2.01
369732	40325	9732	#32 Select Cotton Narrow Head Band Mop Head	12 ea	24.00/2.01



369824



369724

# MOPPING SOLUTIONS

## CUT END MOPS

### RAYON MOPS

- rayon mop heads have quick absorption, mildew resistance and tensile strength; excellent for floor finish application

Prod. No.	Previous		Description	Case Pack	Case Wt./ Cube
	Carlisle No.	Flo-Pac® No.			
<b>COLOR(00)</b>					
<b>4-Ply Rayon Mop Heads</b>					
369066	41651/ 41654	9066	#16 Small Mop Head	12 ea	10.00/0.73
369070	N/A	9070	#20 Medium Mop Head	12 ea	13.00/0.93
369074	41652/ 41655	9074	#24 Large Mop Head	12 ea	16.00/1.34
369082	41653/ 41656	9082	#32 X-Large Mop Head	12 ea	19.50/1.76
<b>8-Ply Rayon Cut End Mop Heads</b>					
369116	N/A	9116	#16 Ray-Kord Mop Head	12 ea	12.00/0.92
369120	N/A	9120	#20 Ray-Kord Mop Head	12 ea	15.00/1.11
369124	N/A	9124	#24 Ray-Kord Mop Head	12 ea	17.50/1.39
369132	N/A	9132	#32 Ray-Kord Mop Head	12 ea	24.00/1.39



369074



369124

### KWIK-ON™ SCREW TOP MOPS

- fast, efficient, and easy to change mop heads
- mops lie flat for more efficient mopping
- 40345 Kwik-On™ wood handle attaches securely to Kwik-On™ mop head with a counter-sunk, reinforced thread with zinc-plated handle connection

Prod. No.	Previous		Description	Case Pack	Case Wt./ Cube
	Carlisle No.	Flo-Pac® No.			
<b>COLOR(00)</b>					
<b>4-Ply Cotton</b>					
369016C	41676	9016C	#16 Kwik-On™ Cotton Mop Head	12 ea	13.00/1.11
369020C	N/A	9020C	#20 Kwik-On™ Cotton Mop Head	12 ea	16.00/1.11
369024C	41677	9024C	#24 Kwik-On™ Cotton Mop Head	12 ea	19.00/1.39
369032C	41678	9032C	#32 Kwik-On™ Cotton Mop Head	12 ea	26.00/2.28
<b>4-Ply Rayon</b>					
369016R	N/A	9016R	#16 Kwik-On™ Rayon Mop Head	12 ea	13.00/1.11
369020R	N/A	9020R	#20 Kwik-On™ Rayon Mop Head	12 ea	16.00/1.11
369024R	N/A	9024R	#24 Kwik-On™ Rayon Mop Head	12 ea	19.00/1.39
369032R	N/A	9032R	#32 Kwik-On™ Rayon Mop Head	12 ea	26.00/2.01
<b>Handle</b>					
40345	40345	9001	60" Kwik-On™ Handle – 1-1/8" D	12 ea	17.00/0.58



369024R

40345



369024C

# MOPPING SOLUTIONS

## MOP HANDLES

Carlisle's Mop Handle selection offers you five styles to best suit your mopping applications.

### SPARTA® SPECTRUM® COLOR-CODED QUIK-RELEASE™ MOP HANDLE

- color-coded handle is an ideal choice for your HACCP program
- flexible plastic head with hinged gripper bites into any size mop band and secures it for maximum performance
- releases mop head quickly; employees never need to touch a dirty mop head again

Prod. No.	Previous Carlisle No.	Flo-Pac® No.	Description	Case Pack	Case Wt./Cube
<b>Fiberglass Handle – 1" Diameter BLUE(14), GREEN(09), RED(05) WHITE(02), YELLOW(04)</b>					
41664	N/A	N/A	60" Fiberglass Mop Handle	12 ea	16.00/2.70

### QUIK-RELEASE™ HANDLE

- flexible plastic head with the same great hinged gripper as the Sparta® Spectrum® Quik-Release™ Mop Handle
- grips any size mop band and secures it to the handle for optimum performance
- vinyl-coated metal handle with swivel hang up cap

Prod. No.	Previous Carlisle No.	Flo-Pac® No.	Description	Case Pack	Case Wt./Cube
<b>Powder-Coated Metal Handle COLOR(00)</b>					
369595	N/A	959-5	Quik-Release™ Metal Handle	12 ea	16.00/2.70

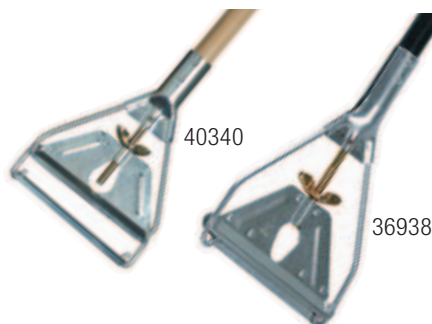
### QUICK CHANGE HANDLES

- plastic heads are ideal for use in health care facilities, food service applications; reduces spread of bacteria, won't rust or corrode
- metal heads feature standard wing nut construction with a quick release cross bar

Prod. No.	Previous Carlisle No.	Flo-Pac® No.	Description	Case Pack	Case Wt./Cube
<b>COLOR(00)</b>					
<b>Wood</b>					
369365	40344	948/936-5	60" Wood Mop Handle w/Plastic Head – 1-1/8" D	12 ea	25.00/3.66
40340	40340	83W/916-5	63" Wood Mop Handle w/Metal Head – 1-1/8" D	12 ea	31.00/2.24
<b>Fiberglass</b>					
369375	N/A	958/937-5	60" Fiberglass Mop Handle w/Plastic Head – 1" D	12 ea	18.00/3.66
<b>Vinyl Coated Metal</b>					
36968	N/A	968	60" Vinyl Coated Metal Mop Handle w/Plastic Head – 1" D	12 ea	18.00/3.66
36938	N/A	938	60" Vinyl Coated Metal Mop Handle w/Metal Head – 1" D	12 ea	32.00/2.24



369595





# MOPPING SOLUTIONS

## JAW STYLE MOP HANDLES

- designed to be used with wide-band mesh headbands
- “bites” into mop for a secure hold and precision handling

Prod. No.	Previous		Description	Case Pack	Case Wt./ Cube
	Carlisle No.	Flo-Pac® No.			
<b>COLOR(00)</b>					
369475	40343	960/947-5	60" Fiberglass Mop Handle – 1" D	12 ea	18.00/3.66
36970	N/A	970	60" Vinyl Coated Metal Mop Handle – 15/16" D	12 ea	18.00/3.66



## MOPPING ACCESSORIES

### BUCKET/WRINGER

- durable and corrosion resistant molded Polyethylene
- non-marking casters

Prod. No.	Previous		Description	Case Pack	Case Wt./ Cube
	Carlisle No.	Flo-Pac® No.			
<b>YELLOW(04)</b>					
36904	41663	267	NEW! 26/35 Qt. Bucket/Wringer w/Side Press	1 ea	20.00/3.28

**new!**



### WET FLOOR SIGNS

- professional quality, two-sided signs
- specially contoured feet to minimize contact with floor to floor finishes
- durable Polypropylene; 25" tall x 11" wide
- 36900, 36901, 36902, 36903 have innovative one-hand operating device; sign locks into place and won't collapse when bumped

Prod. No.	Previous		Description	Case Pack	Case Wt./ Cube
	Carlisle No.	Flo-Pac® No.			
<b>COLOR(00)</b>					
36900*	N/A	900	Floor Sign (English/Spanish)	6 ea	11.50/1.88
36901	N/A	900	NEW! Floor Sign (English/German)	6 ea	11.50/1.88
36902	N/A	900	NEW! Floor Sign (French/Italian)	6 ea	11.50/1.88
36903	N/A	900	NEW! Floor Sign (English/Spanish/German)	6 ea	11.50/1.88
<b>COLOR(04)</b>					
36909	N/A	N/A	NEW! Economy Wet Floor Sign (English/Spanish/German)	6 ea	11.50/1.88

\*Listed under US Patent No. 7013590B1



**new!**

# MOPPING SOLUTIONS

## PROFESSIONAL SPONGE MOPS

- great for damp mopping floors, windows and walls; light scrubbing, waxing or dusting
- synthetic sponge heads absorb liquid fast
- convenient handle-mounted wringer lever moves rollers over head for quick wringing of dirt and water without a mess

Prod. No.	Previous		Description	Case Pack	Case Wt./ Cube
	Carlisle No.	Flo-Pac® No.			
<b>COLOR(00)</b>					
<b>Aluminum Handle</b>					
40300	40300/ 45660	980	8-1/2" Automatic Sponge Mop	12 ea	28.00/2.79
40301	40301/ 45662	982	12" Automatic Sponge Mop	6 ea	13.50/1.93
45664	N/A	N/A	14" Automatic Sponge Mop	6 ea	22.98/3.90
<b>Replacement Refills</b>					
40305	40305/ 45661	980R	9" Roller Mop Refill	12 ea	4.00/0.41
40306	40306/ 45663	982R	12" Roller Mop Refill	6 ea	2.75/0.41
45665	N/A	N/A	14" Roller Mop Refill	12 ea	7.20/0.60

## WAX APPLICATORS

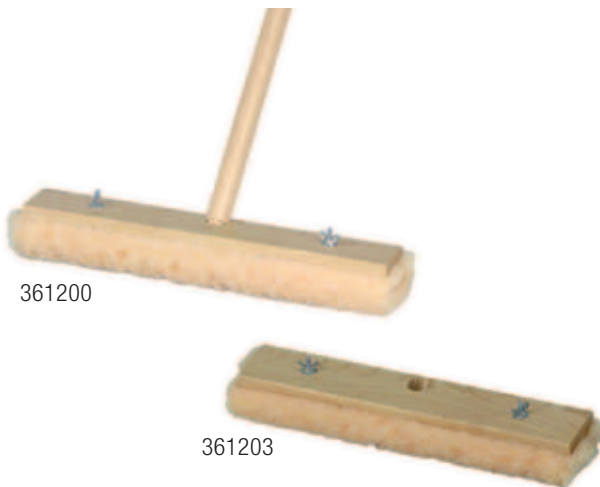
- synthetic woven pile perfect for applying waxes, sealers, and finishes
- handle sold separately; see pages 178-181 for handle recommendation

Prod. No.	Previous		Description	Case Pack	Case Wt./ Cube
	Carlisle No.	Flo-Pac® No.			
<b>COLOR(00)</b>					
361200	45422	1200	12" Applicator	12 ea	13.00/0.85
361600	45426/ 45436	1600	16" Applicator	12 ea	16.00/0.88
361800	45438	1800	18" Applicator	12 ea	19.00/0.88
<b>Refills</b>					
361203	45423	1203	12" Applicator Refill	24 ea	3.00/0.85
361603	45427/ 45437	1603	16" Applicator Refill	24 ea	4.00/0.88
361803	45439	1803	18" Applicator Refill	24 ea	4.50/0.88
36666	N/A	666	55' Roll	1 ea	6.00/2.69

## TY-DEE™ SPONGE MOP

- cellulose sponge, built-in wringer, non-corrosive metal parts and enameled wood handle

Prod. No.	Previous		Description	Case Pack	Case Wt./ Cube
	Carlisle No.	Flo-Pac® No.			
<b>COLOR(00)</b>					
<b>Enamel Wood Handle</b>					
36990	N/A	TYDEE	8-1/4" Ty-Dee™ Sponge Mop w/Built-in Wringer	12 ea	19.00/1.36
<b>Replacement Refills</b>					
36990R	N/A	TYDEEREF	8-1/4" Ty-Dee™ Refill	12 ea	4.00/0.32



# MICROFIBER CLEANING SOLUTIONS



## NEW! MICROFIBER

Carlisle's line of microfiber utilizes ultrafine (less than 0.2 denier) 80% Polyester/20% Polyimide blend offering cleaning, cost, and environmental benefits compared to conventional mops and cleaning materials:

- four times the dirt and bacteria removal
- 98% removal of bacteria with only water
- 20% labor savings per day
- 95% reduction in chemical costs and water usage
- 60% lifetime cost savings on mops
- drying time reduced over 75%
- still effective after 500 or more washings

## MICROFIBER WET MOPS

- dries quicker, more thoroughly than foam
- looped end microfiber reduces drag on floor
- 5 HACCP friendly colors

**new!**

Prod. No.	Description	Case Pack	Case Wt./ Cube
<b>BLUE(14), GREEN(09), RED(05), WHITE(02), YELLOW(04)</b>			
3633218	NEW! 18" Microfiber Wet Mop Pad	120 ea	11.00/0.87
3633224	NEW! 24" Microfiber Wet Mop Pad	120 ea	20.00/2.60



## MICROFIBER DRY MOPS

- traditional looped fringe keeps dust down
- cut-end with microfiber center clings to dust like a magnet

Prod. No.	Description	Case Pack	Case Wt./ Cube
<b>BLUE(14)</b>			
3633118	NEW! 18" Microfiber Dry Mop Pad	96 ea	11.00/0.87
3633124	NEW! 24" Microfiber Dry Mop Pad	72 ea	20.00/2.60
3633136	NEW! 36" Microfiber Dry Mop Pad	48 ea	7.00/0.31



## MICROFIBER CLEANING/POLISHING CLOTHS

- 36333 is great for mirrors, windows, and metallic surfaces
- 36334 is available in 5 HACCP friendly colors; great for general cleaning

Prod. No.	Description	Case Pack	Case Wt./ Cube
<b>Suede</b>			
<b>BLUE(14)</b>			
36333	NEW! 16" x 16" Microfiber Suede Polishing Cloth	216 ea	8.82/2.31
<b>Terry</b>			
<b>BLUE(14), GREEN(09), RED(05), WHITE(02), YELLOW(04)</b>			
36334	NEW! 16" x 16" Microfiber Terry Polishing Cloth	180 ea	8.82/2.31



## MICROFIBER DUSTING/WASHING MITTS

- 36337 is ideal for general dusting applications
- 36337 used in conjunction with 36338 makes a great washing/detailing combo for automobiles and trucks

Prod. No.	Description	Case Pack	Case Wt./ Cube
<b>BLUE(14)</b>			
36337	NEW! Microfiber Dusting Mitt	144 ea	20.00/2.60
36338	NEW! Microfiber Washing Mitt	72 ea	20.00/2.60





# MICROFIBER CLEANING SOLUTIONS

## MICROFIBER SCRUBBING SPONGE

- ideal for cleaning Melamine
- won't scratch or mar delicate surfaces

Prod. No.	Description	Case Pack	Case Wt./ Cube
<b>BLUE(14)</b>			
36339	NEW! 5" x 7" x 1" Scrubbing Sponge	144 ea	20.00/2.60



36339

## ALUMINUM HEADS WITH K PLUGS

- for use with wet and dry floor pads
- may be used with disposable pads
- heavy duty construction
- triple riveted Velcro for durability

Prod. No.	Description	Case Pack	Case Wt./ Cube
<b>COLOR(00)</b>			
3633518	NEW! 18" Aluminum Head w/K Plugs	12 ea	11.00/0.87
3633524	NEW! 24" Aluminum Head w/K Plugs	12 ea	20.00/2.60
3633536	NEW! 36" Aluminum Head w/K Plugs	12 ea	7.00/0.31

**new!**



363318 Pad on  
3633518 Head

3633124 Pad on  
3633524 Head  
w/3633671 Handle

## TELESCOPING HANDLE

- designed for use with heads 3633518, 3633524, and 3633536

Prod. No.	Description	Case Pack	Case Wt./ Cube
<b>COLOR(00)</b>			
3633671	NEW! 71" Aluminum Telescopic Handle	12 ea	2.50/0.40

## RECTANGULAR PAIL

- rectangular pail with 5 gallon capacity
- available in 6 HACCP friendly colors
- use Grey for soiled pads and cloths
- includes lid

Prod. No.	Description	Case Pack	Case Wt./ Cube
<b>BLUE(14), GREEN(09), GREY(23), RED(05), WHITE(02), YELLOW(04)</b>			
3633018	NEW! 18" Rectangular Pail	3 ea	12.50/1.15



3633018

# MOPPING SOLUTIONS

## NEW! HOSPITAL GRADE LAUNDERABLE DUST MOPS

- pre-laundered; synthetic backing and looped-end construction for less lint and effective dust mopping
- perfect for health care facilities, restaurants, and other dust-sensitive environments
- blue synthetic backing with key hole and ties withstands repeated laundering; sewn construction for longer life

Prod. No.	Previous		Description	Case Pack	Case Wt./ Cube
	Carlisle No.	Flo-Pac® No.			
<b>Blended – Fits 5" Wide Frame BLUE(14)</b>					
3648818	N/A	488-18	NEW! 18" Launderable Dust Mop	12 ea	13.00/1.02
3648824	N/A	488-24	NEW! 24" Launderable Dust Mop	12 ea	16.00/1.33
3648836	N/A	488-36	NEW! 36" Launderable Dust Mop	12 ea	22.00/1.77
3648848	N/A	488-48	NEW! 48" Launderable Dust Mop	12 ea	28.00/2.31



3648824

**new!**

## VALUE LINE TIE BACK DUST MOPS

- an economical choice for a cotton dust mop with full tie back
- 3" and 5" sizes in four popular widths

Prod. No.	Previous		Description	Case Pack	Case Wt./ Cube
	Carlisle No.	Flo-Pac® No.			
<b>COLOR(00)</b>					
<b>Fits 3" Wide Frame</b>					
3647318	N/A	473-18	18" Dust Mop	12 ea	9.00/1.02
3647324	N/A	473-24	24" Dust Mop	12 ea	11.00/1.02
3647336	N/A	473-36	36" Dust Mop	12 ea	15.00/1.77
3647348	N/A	473-48	48" Dust Mop	12 ea	20.00/1.77
<b>Fits 5" Wide Frame</b>					
3647518	N/A	475-18	18" Dust Mop	12 ea	10.00/1.47
3647524	N/A	475-24	24" Dust Mop	12 ea	12.00/1.55
3647536	N/A	475-36	36" Dust Mop	12 ea	15.00/2.22
3647548	N/A	475-48	48" Dust Mop	12 ea	24.00/3.18

3647318



3647518

## WEDGE DUST MOP

- cotton dust mop with frame; threaded handle hole
- small enough for dusting corners, under and behind furniture, and hard-to-reach places
- pre-shrunk canvas backing; sewn construction for longer life
- handles sold separately; see pages 178-181 for handle recommendations

Prod. No.	Previous		Description	Case Pack	Case Wt./ Cube
	Carlisle No.	Flo-Pac® No.			
<b>COLOR(00)</b>					
36490	N/A	490	Wedge Dust Mop	12 ea	8.50/0.79
<b>Replacements</b>					
36490R	41674	490R	Wedge Mop Replacement	12 ea	5.00/0.76



36490

# MOPPING SOLUTIONS

## DUST MOP FRAMES

- heavy-gauge metal frame; zinc-plating reduces rust and corrosion
- welded handlebar for added durability allows the clip-on handle (sold separately) to attach quickly and provides 360° maneuverability

Prod. No.	Previous		Description	Case Pack	Case Wt./ Cube
	Carlisle No.	Flo-Pac® No.			
<b>COLOR(00)</b>					
<b>3" Wide</b>					
3647018	N/A	470-18	18" Mop Frame	12 ea	8.00/1.27
3647024	N/A	470-24	24" Mop Frame	12 ea	11.00/1.59
3647036	N/A	470-36	36" Mop Frame	12 ea	14.00/2.22
3647048	N/A	470-48	48" Mop Frame	12 ea	23.00/3.18
<b>5" Wide</b>					
41671	41671	472-18	18" Mop Frame	12 ea	10.00/1.47
41672	41672	472-24	24" Mop Frame	12 ea	12.00/1.55
41673	41673	472-36	36" Mop Frame	12 ea	15.00/2.22
3647248	N/A	472-48	48" Mop Frame	12 ea	24.00/3.18



41672

Call Toll Free  
**800-654-8210**  
*or visit our web site*  
[www.carlislemp.com](http://www.carlislemp.com)

## DUST MOP HANDLES

- flexible handles secure quickly to all dust mop frames; one-piece polyurethane connector requires no locking mechanism and provides 360° cleaning; durable yet flexible
- clip-on handles attach quickly and easily to dust mop frames; handle and frame combination give 360° cleaning

Prod. No.	Previous		Description	Case Pack	Case Wt./ Cube
	Carlisle No.	Flo-Pac® No.			
<b>15/16" Diameter</b>					
<b>COLOR(00)</b>					
45850	45850	2015-5	60" Wood Dust Mop Handle w/Clip-On Connector	12 ea	20.00/0.86
364105	N/A	410-5	60" Vinyl Coated Metal Dust Mop Handle w/Flexible Connector	12 ea	15.50/2.19
362013	N/A	2013	60" Vinyl Coated Metal Dust Mop Handle w/Clip-On Connector	12 ea	20.00/0.86



364105



362013



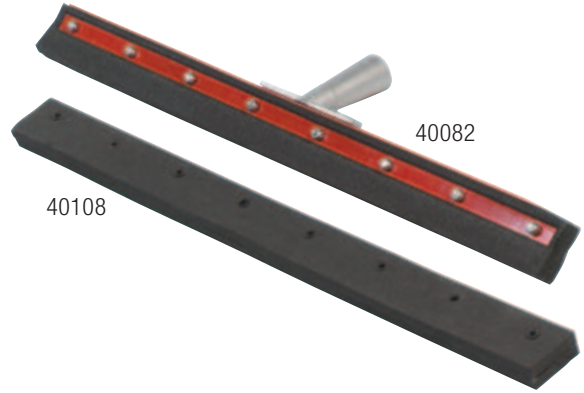
# FLOOR SQUEEGEES

Our wide selection of professional grade floor squeegees fit almost any environment. From uneven, grouted, and smooth surfaces, shop, supermarkets, warehouses, and food service/food processing facilities, Flo-Pac® is the brand that can make your floor care easier.

## DOUBLE FOAM RUBBER FLOOR SQUEEGEES

- rugged black Neoprene for heavy duty removal of dirt, water, and debris
- medium flexibility for excellent control in larger sizes
- recommend 1-1/8" diameter tapered handle

Prod. No.	Previous Carlisle No.	Flo-Pac® No.	Description	Case Pack	Case Wt./ Cube
<b>COLOR(00)</b>					
<b>Heavy-Duty Steel Frame</b>					
40080	N/A	N/A	15" Double Foam Neoprene Rubber Floor Squeegee	6 ea	8.35/0.80
40081	N/A	N/A	18" Double Foam Neoprene Rubber Floor Squeegee	6 ea	10.50/0.80
40082	N/A	N/A	24" Double Foam Neoprene Rubber Floor Squeegee	6 ea	13.14/1.00
40083	N/A	N/A	30" Double Foam Neoprene Rubber Floor Squeegee	6 ea	14.61/1.30
<b>Replacement Refills</b>					
40107	N/A	N/A	18" Double Foam Neoprene Rubber Squeegee Refill	12 ea	1.56/0.30
40108	N/A	N/A	24" Double Foam Neoprene Rubber Squeegee Refill	12 ea	2.28/0.30
40109	N/A	N/A	30" Double Foam Neoprene Rubber Squeegee Refill	12 ea	3.00/0.60



## MOSS FOAM RUBBER SQUEEGEES

- soft, double foam rubber blade is designed for use on uneven, grouted and smooth surface floors
- plastic frame won't rust, bend, and is more durable than metal
- black foam rubber squeegee is perfect for all around floor cleaning
- red foam rubber squeegee is fat and oil resistant
- 366724 & 366330 have reinforced metal frame
- see pages 178-181 for handle recommendations

Prod. No.	Previous Carlisle No.	Flo-Pac® No.	Description	Case Pack	Case Wt./ Cube
<b>COLOR(00)</b>					
<b>Metal Frame</b>					
366530	N/A	6530	30" Red Foam Rubber Squeegee	10 ea	16.25/1.31
366318	N/A	6318	18" Soft Black Foam Rubber Squeegee	10 ea	5.75/0.76
366824	N/A	N/A	22" Soft Black Heavy Duty Foam Rubber Squeegee w/Threaded Socket	10 ea	7.50/1.59
366324	N/A	6324	22" Soft Black Foam Standard Rubber Squeegee	10 ea	8.00/0.99
366724	N/A	6724	22" Soft Black Foam Heavy Duty Rubber Squeegee	10 ea	11.75/0.99
366330	N/A	6330	30" Soft Black Foam Rubber Squeegee	10 ea	15.50/1.31
<b>Plastic Frame</b>					
366918	N/A	6918	18" Red Foam Rubber Squeegee	10 ea	7.75/1.15
366922	N/A	6922	22" Red Foam Rubber Squeegee	10 ea	9.00/1.37
366930	N/A	6930	30" Red Foam Rubber Squeegee	10 ea	11.25/1.81
3662118	N/A	6218	18" Soft Black Foam Rubber Squeegee	10 ea	7.75/1.15
366222	N/A	6222	22" Soft Black Foam Rubber Squeegee	10 ea	9.00/1.37
366230	N/A	6230	30" Soft Black Foam Rubber Squeegee	10 ea	11.25/1.81



# FLOOR SQUEEGEES

## CURVED END FLOOR SQUEEGEES

- single-blade design; curved end controls liquid better
- recommend 1-1/8" diameter tapered handle

Prod. No.	Previous		Description	Case Pack	Case Wt./ Cube
	Carlisle No.	Flo-Pac® No.			
<b>COLOR(00)</b>					
<b>Metal Frame</b>					
36324C	N/A	324C	24" Curved End Black Rubber Squeegee	6 ea	16.00/1.23
40078	N/A	N/A	24" Curved End Red Gum Rubber Squeegee	6 ea	15.00/1.04
36330C	N/A	330C	30" Curved End Black Rubber Squeegee	6 ea	20.50/1.83
36336C	40086	336C	36" Curved End Black Rubber Squeegee	6 ea	23.75/1.83
<b>Replacement Refills</b>					
362024R	N/A	2024R	24" Black Rubber Squeegee Refill	12 ea	7.00/1.55
362030R	N/A	2030R	30" Black Rubber Squeegee Refill	12 ea	8.50/1.55
362036R	N/A	2036R	36" Black Rubber Squeegee Refill	12 ea	11.00/1.55

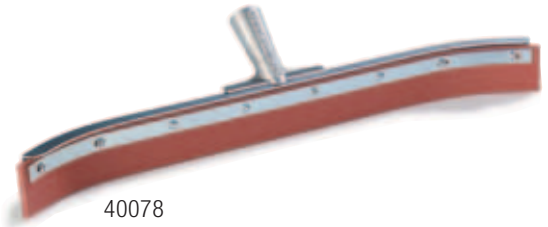
## STRAIGHT FLOOR SQUEEGEES

- use non-marking red gum rubber for heavy duty use on large floor areas; medium flexibility
- use black rubber blade with metal frame for daily liquid clean up
- gray vinyl blade with non-sparking frame is designed for use with petroleum products
- recommend 1-1/8" tapered handle

Prod. No.	Previous		Description	Case Pack	Case Wt./ Cube
	Carlisle No.	Flo-Pac® No.			
<b>COLOR(00)</b>					
<b>Heavy Duty Steel Frame</b>					
40075	N/A	N/A	18" Red Gum Squeegee w/Heavy Duty Steel Frame	6 ea	12.00/0.80
40076	N/A	N/A	24" Red Gum Squeegee w/Heavy Duty Steel Frame	6 ea	15.00/1.00
40077	N/A	N/A	36" Red Gum Squeegee w/Heavy Duty Steel Frame	6 ea	22.00/1.50
<b>Metal Frame</b>					
3612018	N/A	2018	18" Straight Blade Black Rubber Squeegee w/Metal Frame	6 ea	12.00/0.81
3612024	N/A	2024	24" Straight Blade Black Rubber Squeegee w/Metal Frame	6 ea	16.50/1.08
3612036	N/A	2036	36" Straight Blade Black Rubber Squeegee w/Metal Frame	6 ea	22.75/1.60
366018	N/A	6018	18" Grey Vinyl Blade Squeegee w/Metal Frame	6 ea	12.25/0.81
366024	N/A	6024	24" Grey Vinyl Blade Squeegee w/Metal Frame	6 ea	16.00/1.08
366036	N/A	6036	36" Grey Vinyl Blade Squeegee w/Metal Frame	6 ea	22.00/1.60
<b>Non-Sparking Frame</b>					
366118	45680	6118	18" Push/Pull Grey Vinyl Squeegee w/Non-Sparking Frame	6 ea	12.00/0.81
366124	45682	6124	24" Push/Pull Grey Vinyl Squeegee w/Non-Sparking Frame	6 ea	15.00/1.08
366136	N/A	6136	36" Push/Pull Grey Vinyl Squeegee w/Non-Sparking Frame	6 ea	21.00/1.60



36324C



40078



40076



3612024



366024



366124



40097



40104

Prod. No.	Previous		Description	Case Pack	Case Wt./ Cube
	Carlisle No.	Flo-Pac® No.			
<b>Replacement Refills</b>					
40104	N/A	N/A	24" Red Gum Squeegee Blade	12 ea	9.00/0.20
40097	N/A	N/A	36" Red Gum Squeegee Blade	12 ea	12.96/0.30
362024R	N/A	2024R	24" Black Rubber Squeegee Refill	12 ea	7.00/1.55
362030R	N/A	2030R	30" Black Rubber Squeegee Refill	12 ea	8.50/1.55
362036R	N/A	2036R	36" Black Rubber Squeegee Blade	12 ea	11.00/1.55
366118R	N/A	6118R	18" Push/Pull Grey Vinyl Squeegee Blade	12 ea	6.00/1.55
366124R	N/A	6124R	24" Push/Pull Grey Vinyl Squeegee Blade	12 ea	8.00/1.55
366136R	N/A	6136R	36" Push/Pull Grey Vinyl Squeegee Blade	12 ea	12.00/1.55

# FLOOR SCRAPERS

- heavy gauge Stainless Steel blade resists rust; provides aggressive scraping action for concrete, tile, and resilient floors
- “V” shaped blade construction maintains the optimal scraping angle and also collects debris
- handles sold separately; see pages 178-181 for handle recommendations



Prod. No.	Previous Carlisle No.	Flo-Pac® No.	Description	Case Pack	Case Wt./ Cube
<b>COLOR(00)</b>					
41619	N/A	N/A	8" Floor Scraper w/Polycarbonate Threaded Handle Socket	12 ea	13.56/0.74
41078	N/A	N/A	8" Floor Scraper w/Tapered Zinc Handle Socket	12 ea	13.56/0.74

# UTILITY SCRUB BRUSHES

These scrub brushes are designed for the most effective cleaning angle in a variety of synthetic and natural fibers, tailored for specific cleaning applications.

## CRIMPED POLYPROPYLENE SCRUB BRUSHES

- chemical- and water-resistant fiber is perfect for general use in schools, health care and industrial applications
- crimped filament for better solution holding capabilities

Prod. No.	Previous Carlisle No.	Flo-Pac® No.	Description	Case Pack	Case Wt./ Cube
<b>Plastic Block – 2" Trim</b>					
<b>BROWN(01)</b>					
36505	41620	505	8" Utility Scrub w/Polypropylene Bristles	12 ea	6.00/0.74
36505L	41621	505L	20" Utility Scrub w/Polypropylene Bristles	12 ea	10.00/1.17
<b>BLUE(14)</b>					
36505	N/A	515	8" Utility Scrub w/Polypropylene Bristles	12 ea	5.50/0.74
36505L	N/A	515L	20" Utility Scrub w/Polypropylene Bristles	12 ea	9.00/1.17
<b>CREAM(00)</b>					
36505	40534	515CCP	8" Utility Scrub w/Polypropylene Bristles	12 ea	5.50/0.74
36505L	40503	515LCCP	20" Utility Scrub w/Polypropylene Bristles	12 ea	9.50/1.17
<b>ORANGE(24)</b>					
36505	N/A	517	8" Utility Scrub w/Polypropylene Bristles	12 ea	6.00/0.74
36505L	N/A	517L	20" Utility Scrub w/Polypropylene Bristles	12 ea	9.50/1.22



## POLYESTER SCRUB BRUSHES

- Polypropylene block will not crack, chip or split; staple set secure bristles
- lightweight construction allows brush to float

Prod. No.	Previous Carlisle No.	Flo-Pac® No.	Description	Case Pack	Case Wt./ Cube
<b>Plastic Block – 1-5/8" Trim</b>					
<b>COLOR(00)</b>					
40545	N/A	N/A	8" Bent Handle Utility Scrub w/Medium Stiff Polyester Bristles	12 ea	6.00/0.63
<b>WHITE(02)</b>					
40546	N/A	N/A	8" Utility Scrub w/Medium Stiff Polyester Bristles	12 ea	8.04/0.60





# UTILITY SCRUB BRUSHES

## POLYSTYRENE SCRUB BRUSHES

- Polypropylene block will not crack, chip or split
- grips and bristles are designed to work in the most comfortable position and provide the most efficient cleaning
- lightweight construction allows brush to float

Prod. No.	Previous		Description	Case Pack	Case Wt./ Cube
	Carlisle No.	Flo-Pac® No.			
<b>Plastic Block – 1-5/8" Trim</b>					
<b>COLOR(02)</b>					
45472	N/A	N/A	9-1/4" Utility Scrub w/Polystyrene Bristles	12 ea	6.36/0.63
45475	N/A	N/A	20" Utility Scrub w/Polystyrene Bristles	12 ea	8.28/1.11



## NATURAL FIBER UTILITY SCRUBS

- grips and bristles are designed to work in the most comfortable position and provide the most efficient cleaning
- lightweight plastic handles are break-resistant, soak-proof, sanitary and economical
- hardwood handle brushes are designed for use in service stations, workshops, industrial applications and masonry work

Prod. No.	Previous		Description	Case Pack	Case Wt./ Cube
	Carlisle No.	Flo-Pac® No.			
<b>Plastic Block – 2" Trim</b>					
<b>COLOR(00)</b>					
41003	N/A	509	8" Utility Scrub w/Tampico Bristles	12 ea	6.96/0.60
36509L	41398	509L	20" Utility Scrub w/Tampico Bristles	12 ea	10.50/1.17
36513	N/A	513	8" Utility Scrub w/Stiff Palmyra Bristles	12 ea	5.50/0.74
36513L	N/A	513L	20" Utility Scrub w/Stiff Palmyra Bristles	12 ea	9.50/1.17
<b>Wood Block – 2" Trim</b>					
45463	45463	513W	8-1/2" Stiff Utility Scrub w/Palmyra Bristles	12 ea	5.00/0.74
45493	45493	513LW	20" Stiff Utility Scrub w/Palmyra Bristles	12 ea	10.00/1.17



## POINTED END HAND SCRUBS

- comfortable hourglass shape and flared fill material allow this general-purpose scrub to get into corners and tight areas
- crimped filament holds water and solutions for better scrubbing

Prod. No.	Previous		Description	Case Pack	Case Wt./ Cube
	Carlisle No.	Flo-Pac® No.			
<b>Wood Block – 1" Trim</b>					
<b>COLOR(00)</b>					
36277	45490	277	9" Hand Scrub w/Tampico Bristles	12 ea	5.00/0.34
<b>Wood Block – 1-1/8" Trim</b>					
<b>WHITE(02)</b>					
36276	45491	276	9" Hand Scrub w/Polypropylene Bristles	12 ea	5.00/0.35



# UTILITY SCRUB BRUSHES

## NYLON UTILITY SCRUB BRUSHES

- pistol grip handles and bristles are designed to work in the most comfortable positions and provide the most efficient cleaning
- plastic handles are lightweight, break resistant and “soak proof”



Prod. No.	Previous		Description	Case Pack	Case Wt./ Cube
	Carlisle No.	Flo-Pac® No.			
<b>COLOR(00)</b>					
<b>Plastic Block – 1-3/8" Trim</b>					
40542	N/A	2550	8" Utility Scrub w/Medium Stiff Nylon Bristles	12 ea	8.04/0.60
<b>Plastic Block – 1-5/8" Trim</b>					
40540	N/A	2530	8" Utility Scrub w/Medium Stiff Nylon Bristles	12 ea	9.00/0.60
40500	N/A	N/A	20" Utility Scrub w/Medium Stiff Nylon Bristles	12 ea	9.96/1.10
<b>Plastic Block – 2" Trim</b>					
36620	N/A	620	8" Utility Scrub w/Nylon Bristles	12 ea	6.50/0.85
36620L	N/A	620L	20" Utility Scrub w/Nylon Bristles	12 ea	11.50/1.17



36620



40540



40500

## UTILITY HAND SCRUB BRUSHES

- 36289 iron style grip is ergonomically designed for comfort and light or medium duty scrubbing
- 365015, 365009 and 3625017 are ergonomically designed with flared bristles to hold solutions and easily clean along edges and in corners
- 3689 has rectangular molded foam block with Polypropylene bristles

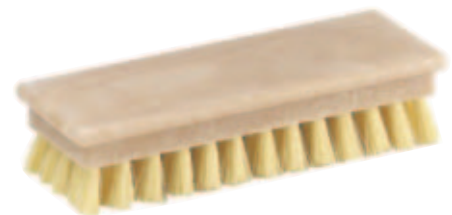
Prod. No.	Previous		Description	Case Pack	Case Wt./ Cube
	Carlisle No.	Flo-Pac® No.			
<b>ASSORTED COLORS(00)</b>					
<b>Plastic Block – 1" Trim</b>					
36289	45505	289	6" Iron-Style Scrub	48 ea	18.00/0.42
<b>Plastic Block – 1-3/8" Trim</b>					
365015	40522	5015	6" Curved Back Utility Hand Scrub w/Polypropylene Bristles	12 ea	4.00/0.29
365009	N/A	5009	6" Curved Back Utility Hand Scrub w/Tampico Bristles	12 ea	5.00/0.29
<b>Plastic Block – 1-3/8" Trim</b>					
<b>WHITE(02)</b>					
3625017	N/A	25017	6" Curved Back Utility Hand Scrub w/Crimped White Nylon Bristles	12 ea	5.00/0.35
<b>COLOR(00)</b>					
3689	N/A	89	8-1/4" Utility Hand Scrub w/Polypropylene Bristles	12 ea	6.00/0.36



36289



365015



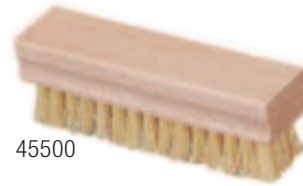
3689

# UTILITY SCRUB BRUSHES

## HAND & NAIL BRUSHES

- designed for use where personal cleanliness is of the utmost importance
- 36239 is designed to be used in just about any environment where extra hand and nail cleanliness is required
- 45500 is great for use in shop or industrial settings
- 40020 has new improved brushes designed to promote vital cleansing of hands for foodservice personnel; stiffer center bristles offer a more thorough cleaning under fingernails and longer bristles along sides clean fingers top and bottom; works better than soap and water alone for efficient under fingernail and hand cleansing
- 40021 kit includes a 5" x 2" brush, cord to secure brush in place, hanging hook and an adhesive backed hand washing instructions decal in English and Spanish

Prod. No.	Previous		Description	Case Pack	Case Wt./ Cube
	Carlisle No.	Flo-Pac® No.			
<b>COLOR(00)</b>					
<b>Plastic Block</b>					
36239	N/A	239	1-1/2" x 3-1/2" Hand & Nail Brush	24 ea	1.75/0.15
40020	N/A	5338	5" Hand & Nail Brush (only)	12 ea	4.30/0.23
40021	N/A	5339	Hand & Nail Brush Kit	12 ea	5.60/0.44
<b>COLOR(42)</b>					
<b>Hardwood Block – 11/16" Trim</b>					
45500	45500	DAISY	1-1/2" x 5" Hand & Nail Brush w/Polypropylene Bristles	72 ea	10.00/0.42



45500



36239



40020



40021

Call Toll Free  
**800-654-8210**  
 or visit our web site  
[www.carlisesmp.com](http://www.carlisesmp.com)

## COUNTER/BENCH BRUSHES

From fine particles to heavy debris, Flo-Pac® Counter/Bench Brushes offer a variety of natural and man-made synthetic fibers to fit the application.

### HORSEHAIR BRUSHES

- provides scratchless dusting of highly polished and delicate surfaces
- removes fine dust particles in commercial applications

Prod. No.	Previous		Description	Case Pack	Case Wt./ Cube
	Carlisle No.	Flo-Pac® No.			
<b>Plastic Block – 3" Trim</b>					
<b>BLACK(03)</b>					
36380	45393	380	9" Counter Brush w/Horsehair Bristles	12 ea	9.50/0.97



36380



# COUNTER/BENCH BRUSHES

## HORSEHAIR BLEND BRUSHES

- removes dust accumulations quickly from hard-to-reach places
- comfortably shaped block



Prod. No.	Previous Carlisle No.	Flo-Pac® No.	Description	Case Pack	Case Wt./ Cube
<b>Plastic Block – 2-1/8" Trim COLOR(00)</b>					
36150	N/A	150	8" Counter Brush w/Horsehair Blend Bristles	12 ea	8.50/0.97
<b>Plastic Block – 2-1/2" Trim GREY(23)</b>					
36225	45400	225	8" Counter Brush w/Horsehair Blend Bristles	12 ea	9.00/0.97
36250	45401	250	9" Counter Brush w/Horsehair Blend Bristles	12 ea	9.00/0.97
<b>BLACK(03)</b>					
45392	N/A	N/A	8" Counter Brush w/Horsehair & Polypropylene Bristles	12 ea	9.96/1.20
36225	N/A	200	8" Counter Brush w/Horsehair Blend Bristles	12 ea	9.00/0.97
36250	N/A	300	9" Counter Brush w/Horsehair Blend Bristles	12 ea	10.00/0.97
<b>Wood Block – 2-1/2" Trim COLOR(00)</b>					
40485	N/A	N/A	8" Counter Brush w/Horsehair & Polypropylene Bristles	12 ea	9.00/1.27



## NATURAL & SYNTHETIC BRISTLE COUNTER BRUSHES

- a big selection of synthetic fibers for dusting up sawdust, glass particles and everything in between
- 36211 and 36311 have flagged filament; ideal for fine particles, dust, and sawdust on smooth surfaces
- 36259 is ideal for light and medium duty tasks

Prod. No.	Previous Carlisle No.	Flo-Pac® No.	Description	Case Pack	Case Wt./ Cube
<b>Plastic Block – 2-1/2" Trim COLOR(00)</b>					
40481	N/A	N/A	8" Counter Brush w/Polyester Bristles	12 ea	8.04/1.30
<b>BLACK(03)</b>					
36258	45398	258	8" Counter Brush w/Polypropylene Bristles	12 ea	8.50/0.97
36259	45403/45404	259	8" Counter Brush w/Tampico Bristles	12 ea	9.50/0.97
<b>GREY(23)</b>					
36211	45390	211	8" Counter Brush w/Flagged Plastic Bristles	12 ea	9.00/0.97
36311	45391	311	9" Counter Brush w/Flagged Plastic Bristles	12 ea	9.00/0.97
<b>ORANGE(24)</b>					
36211	45390	730	8" Counter Brush w/Flagged Plastic Bristles	12 ea	9.00/0.95
<b>Plastic Block - 2-3/8" Trim GREEN(76)</b>					
36846	N/A	846	8" Counter Brush w/Nyllex Bristles	12 ea	8.25/0.97



# MAINTENANCE BRUSHES

Long, narrow profile handles of wood, plastic or wire make getting into and cleaning up tough, hard-to-reach places quicker and easier. Natural, synthetic, brass, steel and wire bristles are specifically selected materials for quality equipment and machinery maintenance.

## WAND, RADIATOR & VENT BRUSHES

- 36772 is designed to dust and thoroughly clean vents, radiators, equipment, and coils; flexible bristles to get into tight areas
- 36122, 36124 and 361236 have long handles to easily reach behind desks and cabinets; flagged bristles remove small dust and particles

Prod. No.	Previous Carlisle No.	Flo-Pac® No.	Description	Case Pack	Case Wt./Cube
<b>Wire Handle – 1/2" Diameter</b>					
<b>COLOR(00)</b>					
36772	N/A	772	8-1/4" Radiator Core Brush w/Plastic Bristles	144 ea	3.50/0.08
<b>BLACK(03)</b>					
<b>Wood Handle – 2" Diameter</b>					
36124	45413	124	24" Radiator/Vent Brush w/Boar Bristles	12 ea	4.00/0.25
<b>Plastic Block – 1-3/4" Trim</b>					
36122	45412	122	24" Radiator/Vent Brush w/Flagged Plastic Bristles	12 ea	4.00/0.27
361236	N/A	1236	36" Radiator Brush w/Flagged Plastic Bristles	12 ea	5.50/0.40



36124



36772



36122

## WIRE SCRATCH BRUSHES

- perfect for removing residue, metal filings, coatings, paint, and varnish
- 361511 is block style
- 45773 has loop handle

Prod. No.	Previous Carlisle No.	Flo-Pac® No.	Description	Case Pack	Case Wt./Cube
<b>COLOR(00)</b>					
<b>Wood Handle – 1-3/4" Trim</b>					
361511	N/A	1511	7-1/4" Block Style Brush w/5 x 10 Rows of Round Tempered Wire Bristles	12 ea	11.00/0.36
<b>Wood Shoe Handle – 1-1/4" Trim</b>					
45776	45776	1541	10" Wire Brush w/4 x 16 Rows of Carbon Steel Bristles	12 ea	5.00/0.19
45777	45777	1545	10" Wire Brush w/4 x 16 Rows of Carbon Steel Bristles and 1-1/2" Scraper	12 ea	5.50/0.24
<b>Wood Loop Handle – 1-1/2" Trim</b>					
45773	45773	1554	13-3/4" Wire Brush w/Scraper & 3 x 19 Rows of Carbon Steel Bristles	12 ea	5.50/0.29



361511



45776



45773

## SHOE HANDLE STYLE BRUSHES

- shoe handle style block for a more comfortable grip

Prod. No.	Previous Carlisle No.	Flo-Pac® No.	Description	Case Pack	Case Wt./Cube
<b>Wood Handle – 1-1/4" Trim</b>					
<b>COLOR(00)</b>					
45784	45784	1527	10" Shoe Handle Brush w/4 x 16 Rows of Fine Brass Wire	12 ea	5.50/0.19

# MAINTENANCE BRUSHES

## TOOTHBRUSH STYLE UTILITY BRUSHES

- great for small jobs, tight areas, and detail work on ceramic tile, small parts, seams, threads, and soldered joints
- a variety of fiber bristle choices with wood or plastic handle

Prod. No.	Previous		Description	Case Pack	Case Wt./ Cube
	Carlisle No.	Flo-Pac® No.			
<b>COLOR(00)</b>					
<b>Nylon Handle – 1/2" Trim</b>					
45796	N/A	N/A	7-1/4" Double-Sided Utility Brush w/Brass Wire Bristles	36 ea	1.44/0.10
<b>Plastic Handle – 1/2" Trim</b>					
3615H	N/A	15H	7-1/4" Utility Brush w/Horsehair Bristles	36 ea	2.00/0.08
40674	N/A	15N	7" Utility Brush w/Nylon Bristles	12 ea	0.36/0.06
40675	N/A	15S	7" Utility Brush w/Stainless Steel Bristles	12 ea	0.60/0.07
41270	N/A	15B	7" Utility Brush w/Brass Bristles	12 ea	0.60/0.50
<b>Wood Handle – 1/2" Trim</b>					
3613B	N/A	13B	7-1/4" Utility Brush w/Brass Bristles	36 ea	2.00/0.08
3613S	N/A	13S	7-1/4" Utility Brush w/Stainless Steel Bristles	36 ea	2.00/0.08

## CURVED HANDLE BRUSHES

- use wire brushes for removing rust, metal burrs, paint, and varnish

Prod. No.	Previous		Description	Case Pack	Case Wt./ Cube
	Carlisle No.	Flo-Pac® No.			
<b>Wood Handle – 1-1/8" Trim</b>					
<b>COLOR(00)</b>					
45770	45770	1551	13-3/4" Brush w/3 x 19 Rows of Carbon Steel Bristles	12 ea	4.50/0.22
361555	N/A	1555	13-3/4" Brush w/4 x 18 Rows of Tempered Round Wire Bristles and 1-1/2" Scraper	12 ea	6.50/0.34



45796



3615H



40674



40675



41270



45770

361555



# BOWL BRUSHES & FORCE CUPS

When it comes to cleaning, Carlisle's Flo-Pac® Bowl Brushes and Force Cups make the chore more sanitary and a whole lot easier.

## TWIST-IN-WIRE BRUSHES

- non-scratching bristles are not affected by standard bowl cleaners
- 36313 and 361006 have vinyl-coated wire to provide additional scratch protection
- variety of sizes

Prod. No.	Previous Carlisle No.	Flo-Pac® No.	Description	Case Pack	Case Wt./ Cube
<b>Plastic Handle</b>					
<b>COLOR(00)</b>					
3610136	N/A	10136	12" Bowl Brush	48 ea	12.00/1.24
3633	45523	33	21" Bowl Brush	24 ea	9.25/1.24
<b>WHITE(02)</b>					
3610150	41476	10150	11" Bowl Brush	24 ea	6.00/0.61
36P5	40142	P5	17" Bowl Brush	24 ea	7.50/1.30
<b>BLACK(03)</b>					
36313	N/A	313	20" Bowl Brush	24 ea	9.00/1.24
<b>ORANGE(24)</b>					
361006	N/A	1006	21" Bowl Brush	24 ea	9.25/1.24



## BOWL BRUSH W/CADDY

- staple set bristles in extra durable plastic handle
- base and handle come in matching assorted colors

Prod. No.	Previous Carlisle No.	Flo-Pac® No.	Description	Case Pack	Case Wt./ Cube
<b>Plastic Handle and Caddy</b>					
<b>ASSORTED COLORS(00)</b>					
367197	41092	7197	14-1/2" Bowl Brush w/Caddy	24 ea	11.04/2.10



## POLYESTER BRUSHES

- 45532 wire-wound head prevents scratching; long reach handle
- 40140 has 180° bristle head to prevent splash back

Prod. No.	Previous Carlisle No.	Flo-Pac® No.	Description	Case Pack	Case Wt./ Cube
<b>Wood Handle</b>					
<b>BLACK(03)</b>					
45532	N/A	N/A	24" Bowl Brush w/Polyester Bristles	12 ea	5.52/11.00
<b>Plastic Handle</b>					
<b>COLOR(00)</b>					
40140	N/A	N/A	17" No-Splash Bowl Brush w/Polyester Bristles	12 ea	6.96/1.30





# BOWL BRUSHES & FORCE CUPS



## BOWL MOPS

- 36238 has synthetic fiber head to provide consistent bowl cleaning
- 36232 and 36233 have all-natural cotton yarn securely attached to smooth wood handle

Prod. No.	Previous		Description	Case Pack	Case Wt./ Cube
	Carlisle No.	Flo-Pac® No.			
<b>Plastic Handle</b>					
<b>WHITE(02)</b>					
36238	45526	238	12" Polypropylene Bowl Mop	100 ea	13.00/1.54
<b>Wood Handle</b>					
<b>COLOR(00)</b>					
36232	N/A	232	10" Cotton Hand Held Mop	36 ea	5.00/1.47
36233	N/A	233	20" Cotton Bowl Mop	36 ea	10.00/1.47



## FORCE CUPS

- two popular styles for effective plunging

Prod. No.	Previous		Description	Case Pack	Case Wt./ Cube
	Carlisle No.	Flo-Pac® No.			
<b>Wood Handle – 6" Diameter</b>					
<b>COLOR(00)</b>					
364386	N/A	4386	18" Force Cup	12 ea	10.50/0.53
364391	N/A	4391	20" Force Cup	12 ea	21.00/0.63



## THE GRIPPER™

- get out-of-reach objects and pick up litter easily with just a squeeze of your hand and without getting your hands soiled
- grasps objects from high or low places; repositions items or handles hygiene-sensitive materials
- perfect for supermarkets, health care facilities, stadiums, parks, streets and restroom maintenance



Prod. No.	Previous		Description	Case Pack	Case Wt./ Cube
	Carlisle No.	Flo-Pac® No.			
<b>COLOR(00)</b>					
363744	N/A	3744	The Gripper™ Pick Up Tool	12 ea	10.00/1.90
<b>Replacement Cups</b>					
363745	N/A	3745	Replacement Cups	2 ea	1.00/0.05

# FLOOR DRAIN BRUSHES & HANDLES

- special female threaded handle accepts floor drain brushes only to prevent cross-contamination
- long lasting Polypropylene bristles and plastic handle (sold separately) stand up to rugged use
- “USE FOR FLOOR DRAIN ONLY” is prominently imprinted in English and Spanish on the plastic drain handle (sold separately) to prevent contact with food and serving utensils



Prod. No.	Previous		Description	Case Pack	Case Wt./ Cube
	Carlisle No.	Flo-Pac® No.			
<b>COLOR(00)</b>					
40146	N/A	38147-3	3" Floor Drain Brush	6 ea	3.72/0.31
40147	N/A	38147-4	4" Floor Drain Brush	6 ea	2.52/0.40
41093	N/A	38147-5	5" Floor Drain Brush	6 ea	3.00/0.75
40148	N/A	38147-6	6" Floor Drain Brush	6 ea	3.48/1.10
40236	N/A	N/A	36" Plastic Drain Brush Handle	12 ea	17.04/0.46
40237	N/A	N/A	48" Plastic Drain Brush Handle	12 ea	21.96/0.58
40238	N/A	N/A	60" Plastic Drain Brush Handle	12 ea	27.00/0.85

## VEHICLE BRUSHES

The Flo-Pac® Vehicle Brush line consists of convenient hand-held blocks, flo-thru styles, tire brushes, parts & detail brushes, as well as acid wash brushes. All specifically designed to provide professional results.

### HAND-HELD UTILITY WASH BRUSHES

- lightweight plastic handles are break-resistant and soak-proof
- 36624 & 36624L have flagged black and white Polystyrene bristles
- 361250 has soft Polystyrene bristles
- provide soft scrubbing for tight and intricate areas

Prod. No.	Previous		Description	Case Pack	Case Wt./ Cube
	Carlisle No.	Flo-Pac® No.			
<b>Plastic Block – 2-1/2" Trim</b>					
<b>COLOR(00)</b>					
36624	41451	624	8" Utility Vehicle Wash Brush w/Flagged Polystyrene	12 ea	7.00/0.85
36624L	41400	624L	20" Utility Vehicle Wash Brush w/Flagged Polystyrene	12 ea	12.00/1.17
<b>Plastic Block – 2-3/8" Trim</b>					
<b>GREEN(75)</b>					
36610	N/A	610	8" Utility Vehicle Wash Brush w/Nylox Bristles	12 ea	6.50/1.26
36610L	N/A	610L	20" Utility Vehicle Wash Brush w/Nylox Bristles	12 ea	11.50/1.17
<b>Plastic Block – 2-5/8" Trim</b>					
<b>WHITE(02)</b>					
361250	N/A	1250	20" Utility Vehicle Wash Brush w/Soft Polystyrene Wash Bristles	12 ea	11.25/1.17



# VEHICLE BRUSHES



## FLO-THRU VEHICLE WASH BRUSHES

- Dual Surface® block design keeps the bristles working at almost every angle
- five-hole fountain-style foam block evenly distributes water across the face of the brush
- handles sold separately; see pages 178-181 for handle recommendations

Prod. No.	Previous Carlisle No.	Flo-Pac® No.	Description	Case Pack	Case Wt./ Cube
<b>Plastic Block – 2-1/2" Trim</b>					
<b>COLOR(00)</b>					
36497	40418	497	10" Flo-Thru Vehicle Wash Brush w/Flagged Polystyrene Bristles	12 ea	18.00/1.34
<b>Plastic Block – 2-3/8" Trim</b>					
<b>GREEN(75)</b>					
361297	41442	1297	10" Flo-Thru Vehicle Wash Brush w/Nylex Bristles	12 ea	19.00/1.34



## HAND-HELD WASH BRUSHES

- designed for auto laundries to effectively clean hard but delicate finishes
- soft, dense fill removes dirt and soil from car finishes, windows, and mobile homes

Prod. No.	Previous Carlisle No.	Flo-Pac® No.	Description	Case Pack	Case Wt./ Cube
<b>Plastic Block – 2-3/8" Trim</b>					
<b>GREEN(75)</b>					
36447	N/A	447	12" Wash Brush w/Nylex Bristles	12 ea	12.00/1.56
<b>Plastic Block – 2-5/8" Trim</b>					
<b>COLOR(00)</b>					
361040	N/A	1040	12" Wash Brush w/Boar Bristles	12 ea	12.00/1.58



## FOUNTAIN-STYLE BRUSHES

- professional grade vehicle wash brush with vinyl bumper to protect vehicle finishes
- finely threaded brass insert allows for quick handle attachment
- designed for coin operated units and car dealerships
- use Flo-Thru handle 36375 and shut-off valve 36953, sold separately on pages 178-181

Prod. No.	Previous Carlisle No.	Flo-Pac® No.	Description	Case Pack	Case Wt./ Cube
<b>Polypropylene Block – 2-5/16" Trim</b>					
<b>BLACK(03)</b>					
36368	N/A	368	10" Flo-Thru Brush w/Polyester Bristles	12 ea	15.50/1.40
<b>Polypropylene Block – 2-3/8" Trim</b>					
<b>GREEN(75)</b>					
363681	N/A	368-1	10" Flo-Thru Brush w/Nylon Bristles	12 ea	14.00/1.40
<b>COLOR(00)</b>					
<b>3" Trim</b>					
36370	N/A	N/A	10" Flo-Thru Brush w/Fine Boar Bristles	12 ea	15.96/1.29
<b>3-3/4" Trim</b>					
36372	N/A	N/A	10" Flo-Thru Brush w/Coarse Boar Bristles	12 ea	15.96/1.54



# VEHICLE BRUSHES

## DIP-STYLE BRUSHES

- for larger vehicles, trucks and trailers
- plastic foam block resists water
- handles sold separately; see pages 178-181 for handle recommendations

Previous Prod. No.	Carlisle No.	Flo-Pac® No.	Description	Case Pack	Case Wt./Cube
<b>Plastic Block – 2-3/8" Trim GREEN(75)</b>					
361214	N/A	1214	14" Vehicle Wash Brush w/Nylox Bristles	12 ea	15.00/1.68
<b>Plastic Block – 2-1/2" Trim GREY(23)</b>					
361234	45386	1234	14" Vehicle Wash Brush w/Flagged Polystyrene Bristles	12 ea	19.00/1.68



361214

## ACID WASH BRUSHES

- designed for use with diluted acid on cement trucks or wherever phosphoric acid dilution cleaners are used
- 361228 has one threaded handle hole; 361230 has one tapered and one threaded handle hole
- handles sold separately; see pages 178-181 for handle recommendations

Prod. No.	Previous Carlisle No.	Flo-Pac® No.	Description	Case Pack	Case Wt./Cube
<b>Plastic Block – 2-1/2" Trim COLOR(00)</b>					
361228	N/A	1228	8" Vehicle Wash Brush w/Crimped Polypropylene Bristles	12 ea	11.00/0.44
361230	N/A	1230	10" Vehicle Wash Brush w/Crimped Polypropylene Bristles	12 ea	15.50/1.16



361228



361230

## FLO-THRU BRUSHES

- Flo-Thru design delivers a constant flow of water
- densely filled with vinyl bumpers to protect vehicle finishes
- handles sold separately; see pages 178-181 for handle recommendations

Prod. No.	Previous Carlisle No.	Flo-Pac® No.	Description	Case Pack	Case Wt./Cube
<b>Plastic Block – 2-1/2" Trim GREEN(75)</b>					
40050	N/A	N/A	9-1/2" Flo-Thru Brush w/Flagged Nylox Bristles	12 ea	18.00/1.40
36468	N/A	468	10" Flo-Thru Brush w/Flagged Nylox Bristles	12 ea	16.00/1.26
<b>COLOR(00)</b>					
36467	41886	467	10" Flo-Thru Brush w/Tampico Mix Bristles	12 ea	16.00/1.26
<b>Plastic Block – 2-3/8" Trim COLOR(00)</b>					
36466	N/A	466	10" Flo-Thru Brush w/Flagged Polystyrene Bristles	12 ea	17.00/1.26



40050



36468



36466



# VEHICLE BRUSHES

## TRUCK WASH BRUSHES

- designed for use with phosphoric acid brightener solutions for exterior cleaning on cement trucks and other commercial vehicles
- Flo-Thru design delivers a constant flow of water
- handles sold separately; see pages 178-181 for handle recommendations

Prod. No.	Previous Carlisle No.	Flo-Pac® No.	Description	Case Pack	Case Wt./ Cube
<b>Plastic Block – 2-3/4" Trim WHITE(02)</b>					
361209	45380	1209	9" Vehicle Wash Brush w/Polystyrene Bristles	12 ea	16.50/1.26
<b>Plastic Block – 2-5/8" Trim WHITE(02)</b>					
361251	N/A	1251	8" Vehicle Wash Brush w/Polystyrene Bristles	12 ea	16.50/0.84
361252	N/A	1252	10" Vehicle Wash Brush w/Polystyrene Bristles	12 ea	17.25/1.26



## TIRE WASH BRUSHES

### SIDEWALL BRUSHES

- durable filament provides the aggressive scrubbing needed for sidewall and raised white lettering

Prod. No.	Previous Carlisle No.	Flo-Pac® No.	Description	Case Pack	Case Wt./ Cube
<b>Wood Block – 3/4" Trim COLOR(00)</b>					
45802	45803	676	8-7/8" Large Trim & Rim Brush w/Brass Wire Bristles	12 ea	4.44/0.20
<b>Plastic Block – 3/4" Trim COLOR(00)</b>					
36677	N/A	677	8-1/2" Sidewall Brush w/Steel Wire Bristles	12 ea	3.50/0.19
36676	N/A	N/A	8-1/2" Sidewall Brush w/Brass Wire Bristles	12 ea	4.00/0.19
<b>Plastic Block – 1" Trim BLACK(03)</b>					
36675	N/A	675	8-1/2" Sidewall Brush w/Nylon Bristles	12 ea	3.00/0.19
<b>Plastic Block – 1" Trim COLOR(00)</b>					
36678	N/A	678	8-1/2" Sidewall Brush w/Plastic Bristles	12 ea	3.00/0.19



### TIRE & RIM BRUSH

- uniquely-designed, ergonomic, long handles are bent at just the right angle to provide full face brush contact
- full face brush contact provides more efficient cleaning where more surface contact is required

Prod. No.	Previous Carlisle No.	Flo-Pac® No.	Description	Case Pack	Case Wt./ Cube
<b>Plastic Block – 2-1/2" Trim COLOR(00)</b>					
361247	N/A	1247	20" Bent Handle w/Soft Flagged Polystyrene Brush	12 ea	11.25/1.20



# VEHICLE BRUSHES

## SPOKE BRUSHES

- designed to meet all your spoke and grill cleaning needs

Prod. No.	Previous		Description	Case Pack	Case Wt./ Cube
	Carlisle No.	Flo-Pac® No.			
<b>Plastic Handle – 3-1/4" Diameter</b>					
<b>COLOR(00)</b>					
36183	41089	183	16" Spoke Brush w/Tampico Bristles	12 ea	5.50/0.87
<b>7/8" Trim</b>					
<b>BLACK(03)</b>					
363610	N/A	3610	10" Looped End Spoke Brush w/Nylon Bristles	12 ea	3.00/0.20



363610



36183

## PARTS & DETAIL BRUSHES

### PARTS CLEANING BRUSHES

- designed to hold and work solutions into intricate areas while removing oil, dirt and paint
- 363650 and 363651 are Flo-Thru brushes; use to clean intricate parts

Prod. No.	Previous		Description	Case Pack	Case Wt./ Cube
	Carlisle No.	Flo-Pac® No.			
<b>BLACK(03)</b>					
<b>Plastic Handle – 2-3/4" Trim</b>					
36573	N/A	573	10" Round Cut Cleaning Brush w/Polypropylene Bristles	12 ea	1.50/0.38
<b>2-1/2" Trim</b>					
363650	N/A	N/A	NEW! 10" Round Flo-Thru Parts Brush w/Nylon Bristles	10 ea	2.40/2.36
363651	N/A	N/A	NEW! 10" Round Flo-Thru Parts Brush w/Polyester Bristles	100 ea	2.25/2.36



36573



363650

**new!**



363651

### ACID BRUSH

- hollow tin handle and black bristles withstand acids for specialized cleaning

Prod. No.	Previous		Description	Case Pack	Case Wt./ Cube
	Carlisle No.	Flo-Pac® No.			
<b>BLACK(03)</b>					
3660	45991	60	6" Acid Brush – 3/8" wide	12 pks	2.50/0.52
					144 ea/pack, 12 packs/case



3660

### DETAIL BRUSHES

- designed to remove dust from intricate dashboard instruments and polish from car seams and trim

Prod. No.	Previous		Description	Case Pack	Case Wt./ Cube
	Carlisle No.	Flo-Pac® No.			
<b>Plastic Handle – 3/4" Trim</b>					
<b>COLOR(00)</b>					
364575	N/A	4575	6-3/4" x 1-1/2" Detail Brush w/Boar Bristles	24 ea	1.75/0.52
<b>Plastic Handle – 2" Trim</b>					
<b>COLOR(00)</b>					
36270	N/A	270	10-1/4" x 1" Round Detail Brush w/Boar Bristles	12 ea	2.50/0.38



364575



36270

# VEHICLE BRUSHES

## WINDSHIELD WASHER/SQUEEGEE

- removes bugs, dirt, and other road debris quickly and easily
- flexible rubber squeegee removes cleaning solution for a clear shine
- essential equipment for convenience stores, service stations, and car or truck fleets

Prod. No.	Previous		Description	Case Pack	Case Wt./ Cube
	Carlisle No.	Flo-Pac® No.			
<b>COLOR(00)</b>					
362868	N/A	286-8	14-7/8" Handle w/8" Mesh Covered Sponge	12 ea	5.00/2.71

## WASH MITTS

- soft synthetic fleece is tough and durable
- removes stubborn dirt without damaging vehicle finish
- Microfiber mitts provide quick removal of dust and water

Prod. No.	Previous		Description	Case Pack	Case Wt./ Cube
	Carlisle No.	Flo-Pac® No.			
<b>COLOR(00)</b>					
36820	45818	820	Wash Mitt	12 ea	3.00/1.76
<b>BLUE(14)</b>					
36337	N/A	N/A	NEW! Microfiber Dusting Mitt	144 ea	20.00/2.60
36338	N/A	N/A	NEW! Microfiber Washing Mitt	72 ea	20.00/2.60



**new!**



# WINDOW CLEANING EQUIPMENT

Carlisle's Flo-Pac® line also offers professional quality Window Cleaning Equipment, includes tough, non-scratching Window Brushes, Window Scrapers, Window Strip Washers and a variety of Window Squeegees.

## FLO-THRU WINDOW BRUSHES

- flagged Polystyrene bristles are great for intricately designed windows
- 45350 & 3651 have a tapered, a threaded and a Flo-Thru handle hole to provide a variety of cleaning angles and uses
- 361221 has Flo-Thru handle hole
- 361222 has threaded, Flo-Thru and tapered handle holes
- handles sold separately; see pages 178-181 for handle recommendations

Prod. No.	Previous		Description	Case Pack	Case Wt./ Cube
	Carlisle No.	Flo-Pac® No.			
<b>Plastic Block – 2-5/8" Trim GREY(23)</b>					
45350	N/A	23	4-1/2" Round Window Brush w/Flagged Polypropylene Bristles	12 ea	13.00/0.95
<b>Plastic Block – 2-1/2" Trim RUST(27)</b>					
3651	N/A	51	4-1/2" Round Window Brush w/Horsehair/Synthetic Blend Bristles	12 ea	12.00/0.95
<b>ORANGE(24)</b>					
361221	N/A	1221	8" Flo-Thru Window Brush w/Polystyrene Bristles	12 ea	11.00/0.44
361222	N/A	1222	10" Flo-Thru Window Brush w/Polystyrene Bristles	12 ea	14.50/1.53
<b>COLOR(00)</b>					
41690	N/A	N/A	9-1/2" Window Brush w/Tampico Bristles	12 ea	12.00/1.50



# WINDOW CLEANING EQUIPMENT

## WINDOW SCRAPERS

- professional 4" wide scrapers in two handle choices
- 4" scraper blade has one sharp edge and one dull edge

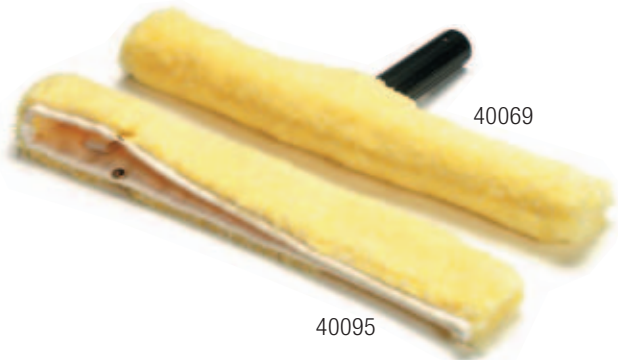
Prod. No.	Previous		Description	Case Pack	Case Wt./ Cube
	Carlisle No.	Flo-Pac® No.			
<b>COLOR(00)</b>					
365117	N/A	5117	Complete Scraper w/6" Plastic Handle & Blade	10 ea	3.50/0.16
365119	N/A	5119	Complete Scraper 48" Metal Handle & Blade	10 ea	9.00/0.59
365120	N/A	5120	4" Replacement Blade Dispenser	10 pks 10 ea/pack, 10 packs/case	1.50/0.01



## STRIP WINDOW WASHERS

- durable, lightweight handles increase efficiency and reduce fatigue
- synthetic fiber mitt provides better water retention, residue removal and longer life

Prod. No.	Previous		Description	Case Pack	Case Wt./ Cube
	Carlisle No.	Flo-Pac® No.			
<b>COLOR(00)</b>					
40069	40069	285-14	14" Complete Strip Washer	10 ea	4.25/1.32
3628518	N/A	285-18	18" Complete Strip Washer	10 ea	5.25/1.32
<b>Replacements</b>					
<b>COLOR(00)</b>					
40095	40095	285M-14	14" Strip Washer Mitt	10 ea	1.50/0.23
36285M18	N/A	285M-18	18" Strip Washer Mitt	10 ea	2.00/0.29



## PROFESSIONAL GRADE WINDOW SQUEEGEES

### ALUMINUM CHANNEL SQUEEGEES

- lightweight yet durable and provides the professional results you want
- plastic handle clamps tightly onto squeegee channel

Prod. No.	Previous		Description	Case Pack	Case Wt./ Cube
	Carlisle No.	Flo-Pac® No.			
<b>COLOR(00)</b>					
36281CR12	N/A	281CR-12	12" Aluminum Channel Squeegee	30 ea	3.75/0.54
36281CR16	45726	281CR-16	16" Aluminum Channel Squeegee	30 ea	5.00/0.54
36281H	N/A	281H	Plastic Handle for 36281CR Squeegees	30 ea	3.75/0.54





# WINDOW CLEANING EQUIPMENT

## PROFESSIONAL GRADE WINDOW SQUEEGEES

### STAINLESS STEEL CHANNEL SQUEEGEES

- precision performance from a Stainless Steel unit
- rubber grip handle that securely holds channel and rubber in place
- change the squeegee rubber or channel length with the squeeze of your fingers

Prod. No.	Previous Carlisle No.	Flo-Pac® No.	Description	Case Pack	Case Wt./ Cube
<b>COLOR(00)</b>					
<b>Complete Unit</b>					
40073	N/A	N/A	10" Professional Double Blade Rubber Squeegee w/Stainless Steel Handle	12 ea	9.00/1.06
41027	N/A	N/A	12" Professional Double Blade Rubber Squeegee w/Stainless Steel Handle	6 ea	4.50/0.60
40070	N/A	283-12	12" Professional Single Blade Rubber Squeegee w/Stainless Steel Handle	12 ea	9.96/1.04
40074	N/A	N/A	14" Professional Double Blade Rubber Squeegee w/Stainless Steel Handle	12 ea	9.55/1.37
40071	N/A	283-16	16" Professional Single Blade Rubber Squeegee w/Stainless Steel Handle	12 ea	12.00/1.41
<b>Stainless Steel Channel w/Rubber Squeegee</b>					
36283CR12	N/A	283CR-12	12" Stainless Steel Channel w/Rubber Squeegee	10 ea	2.25/0.15
36283CR14	N/A	283CR-14	14" Stainless Steel Channel w/Rubber Squeegee	10 ea	2.50/0.15
36283CR18	N/A	283CR-18	18" Stainless Steel Channel w/Rubber Squeegee	10 ea	3.00/0.15
36283H	N/A	283H	Stainless Steel Handle for 36283CR Squeegees	10 ea	2.50/0.15

### BRASS CHANNEL W/RUBBER SQUEEGEE

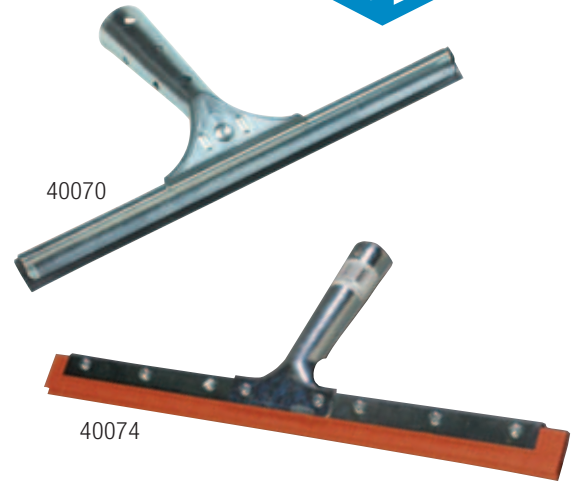
- top-of-the-line tempered brass; perfect for those who demand the best

Prod. No.	Previous Carlisle No.	Flo-Pac® No.	Description	Case Pack	Case Wt./ Cube
<b>Brass Channel w/Rubber Squeegee</b>					
<b>COLOR(00)</b>					
36284CR12	N/A	284CR-12	12" Brass Channel w/Rubber Squeegee	10 ea	2.25/0.15
36284CR16	N/A	284CR-16	16" Brass Channel w/Rubber Squeegee	10 ea	2.50/0.15
36284CR18	N/A	284CR-18	18" Brass Channel w/Rubber Squeegee	10 ea	3.00/0.15
36279	N/A	279	Brass Clips	24 ea	1.00/0.02
36284H	N/A	284H	Brass Handle for 36284CR Squeegees	10 ea	2.50/0.15

### RUBBER SQUEEGEE REFILLS & ACCESSORIES

- refills fit aluminum, stainless steel, and brass channel squeegees

Prod. No.	Previous Carlisle No.	Flo-Pac® No.	Description	Case Pack	Case Wt./ Cube
<b>Replacement Refills &amp; Accessories</b>					
<b>COLOR(00)</b>					
36283R12	N/A	283R-12	12" Rubber Squeegee Refill	25 ea	1.25/0.15
36283R16	N/A	283R-16	16" Rubber Squeegee Refill	25 ea	1.50/0.15
36283R18	N/A	283R-18	18" Rubber Squeegee Refill	25 ea	1.75/0.15
365108	N/A	5108	Multi-Purpose Clamp	10 ea	7.00/0.69



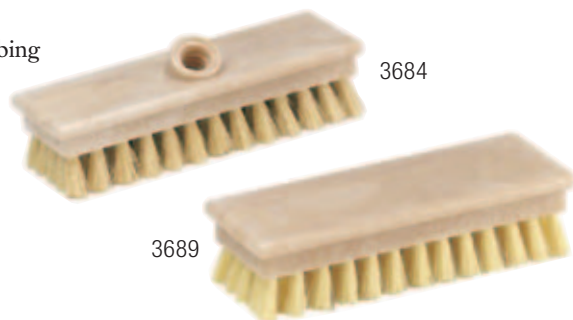
# CARPET & UPHOLSTERY BRUSHES

Carpet Scrubs, Pile Brushes, Carpet Rakes, and Carpet Spot Brushes by Flo-Pac® make your carpet & upholstery cleaning easier

## CARPET SCRUB BRUSHES

- crimped fill material holds solutions and provides aggressive spot scrubbing
- 3684 and 36184 have threaded handle holes; handles sold separately, see pages 178-181 for handle recommendations

Prod. No.	Previous Carlisle No.	Flo-Pac® No.	Description	Case Pack	Case Wt./ Cube
<b>COLOR(00)</b>					
<b>Plastic Block – 1" Trim</b>					
3684	45755	84	8-1/4" Hand Brush w/Tampico Bristles	12 ea	7.00/0.36
<b>Plastic Block – 1-1/8" Trim</b>					
3689	N/A	89	8-1/4" Hand Scrub w/Polypropylene Bristles	12 ea	6.00/0.36
36184	45754	184	8-1/4" Hand Brush w/Polypropylene Bristles	12 ea	6.00/0.36



## PILE BRUSHES

- professionally rejuvenates carpet pile
- handles sold separately; see pages 178-181 for handle recommendations

Prod. No.	Previous Carlisle No.	Flo-Pac® No.	Description	Case Pack	Case Wt./ Cube
<b>Wood Block – 1-3/4" Trim</b>					
<b>BLACK(03)</b>					
36297	45753	297	18" Pile Brush w/Nylon Bristles	12 ea	12.50/1.30
<b>Plastic Block – 1-1/8" Trim</b>					
<b>COLOR(00)</b>					
36397	N/A	397	18" Pile Brush w/Extra-Stiff Nylon Bristles	12 ea	12.00/1.30



## CARPET RAKE

- lift carpet pile and restore a fresh look to carpet
- see pages 178-181 for handle recommendations

Prod. No.	Previous Carlisle No.	Flo-Pac® No.	Description	Case Pack	Case Wt./ Cube
<b>COLOR(00)</b>					
<b>Plastic Block – 1-3/8" Trim</b>					
45751	45751	3297	18" Commercial Groomer w/Nylon Bristles and 54" Metal Handle	12 ea	26.00/2.08



## CARPET & UPHOLSTERY SPOT BRUSHES

- designed to effectively work powder/solution into stained carpet
- 45787 is perfect for general upholstery cleaning

Prod. No.	Previous Carlisle No.	Flo-Pac® No.	Description	Case Pack	Case Wt./ Cube
<b>COLOR(00)</b>					
<b>Wood Block – 5/8" Trim</b>					
36257WN	N/A	257WN	10" Carpet Brush w/Stiff White Nylon Bristles	12 ea	3.00/0.16
36257N	45760	257N	10" Carpet Brush w/Extra Stiff Black Nylon Bristles	12 ea	3.00/0.16
<b>Wood Block – 1-1/8" Trim</b>					
45787	N/A	2240	13" Curved Handle Upholstery Brush w/Tampico Bristles	12 ea	3.48/0.20
<b>Plastic Block – 5/8" Trim</b>					
363200	N/A	3200	10" Carpet Brush w/Stiff Black Nylon Bristles	12 ea	3.00/0.26



# DUSTERS & ACCESSORIES

A large selection of quality feather, wool, and poly wool Dusters and Telescoping Handles makes everyday dusting of ceiling, walls, and ceiling fans less of a chore.



## FEATHER DUSTERS

- premium quality; ideal for use in offices, stores, and schools

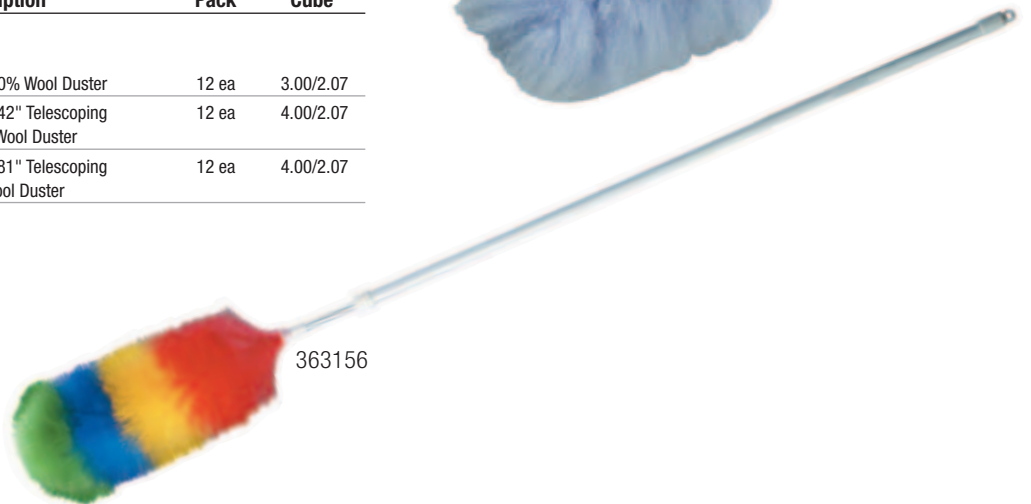
Prod. No.	Previous		Description	Case Pack	Case Wt./ Cube
	Carlisle No.	Flo-Pac® No.			
36172	N/A	172	16" Feather Duster	12 ea	1.50/1.47
45744	45744	162	21" Feather Duster	12 ea	4.00/1.47
45743	45743	177	26" Feather Duster	12 ea	4.50/1.47



## WOOL DUSTERS

- 45732 and 45733 are made of premium lambs wool and pick up fine dust; clean with a shake of the wrist
- 363156 is electrostatically charged to attract even the finest particles; head can be bent to clean those hard-to-reach areas

Prod. No.	Previous		Description	Case Pack	Case Wt./ Cube
	Carlisle No.	Flo-Pac® No.			
<b>Plastic Handle</b>					
<b>COLOR(00)</b>					
45732	45732	3145	26" 100% Wool Duster	12 ea	3.00/2.07
45733	45733	3146	30" to 42" Telescoping 100% Wool Duster	12 ea	4.00/2.07
363156	N/A	3156	52" to 81" Telescoping Poly Wool Duster	12 ea	4.00/2.07



# DUSTERS & ACCESSORIES

## CEILING, FAN & WALL DUSTERS

- 36111, 36213 and 363401 can be used as hand held units or attached to telescoping handles (sold separately) to reach corners and ceilings
- 363404 requires 365450 handle (sold separately)
- handles sold separately; see pages 178-181 for handle recommendations

Prod. No.	Previous Carlisle No.	Flo-Pac® No.	Description	Case Pack	Case Wt./Cube
<b>Flagged Filament – Hand Held or Handle Use – 2-7/8" Trim</b>					
<b>COLOR(00)</b>					
363401	N/A	3401	Wide Wall Duster	10 ea	7.75/3.65
<b>Twist in Wire Hand Held or Handle Use – 2-7/8" Trim</b>					
<b>BLUE(14)</b>					
36111	40170	111	Wall & Fan Brush	12 ea	11.00/2.69
<b>Solid Block – Hand Held or Handle Use – 2" Trim</b>					
<b>BLACK(03)</b>					
36213	N/A	213	Wall/Ceiling Duster w/Soft Black Plastic Bristles	1 ea	1.50/0.17
<b>2-1/2" Trim</b>					
<b>BLUE(14)</b>					
363404	N/A	3404	Round Duster w/Soft Flagged Plastic Bristles	12 ea	5.00/2.26
<b>COLOR(00)</b>					
365450	N/A	5450	34" to 59" Extendable Handle	12 ea	7.00/0.36



363401



36111



36213



363404 w/365450 handle

## COTTON TOWELS

- tough, durable, non-woven; can be rinsed, wrung, washed, sanitized, and used over and over again
- less expensive than paper towels; eliminates high towel maintenance cost

Prod. No.	Previous Carlisle No.	Flo-Pac® No.	Description	Case Pack	Case Wt./Cube
<b>GREEN(09)</b>					
41484	N/A	160	13" x 17" Towels	1 case 10 ea/pack, 144 packs/case	51.84/6.40



41484

## SPONGES

- perfect for use on dishes, floors, counters and vehicles
- natural color, synthetic sponges in 2 size choices

Prod. No.	Previous Carlisle No.	Flo-Pac® No.	Description	Case Pack	Case Wt./Cube
<b>COLOR(00)</b>					
36M3	N/A	M3	1" x 3-3/8" x 6-1/4" Medium Size	48 ea	8.00/1.36
365501	N/A	5501	2-1/4" x 4-1/4" x 8-1/4" Extra Large Size	24 ea	2.50/1.34



36M3



365501